

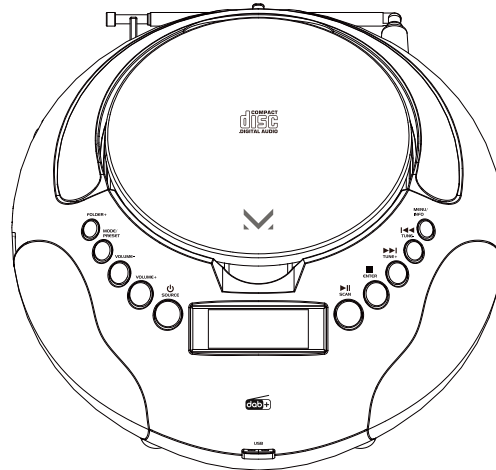
# MAJESTIC

INSTRUCTION MANUAL MOD. AH 265 DAB

PORTABLE AUDIO / MP3 CD PLAYER

DAB/DAB+/FM RDS STEREO DIGITAL RADIO WITH PLL TUNING

USB AND AUX-IN INPUT



New Majestic S.p.A.  
Via Rossi Martini, 41  
26013 - Crema (CR) Italia  
[www.newmajestic.com](http://www.newmajestic.com)  
[info@newmajestic.com](mailto:info@newmajestic.com)  
MADE IN CHINA



Per scaricare il manuale d'istruzioni inquadra il QR code:

To download the instruction manual frame QR code:

Um die Bedienungsanleitung herunterzuladen, scannen Sie den QR-Code:

Pour télécharger le manuel d'instructions, scannez le code QR :

Para descargar el manual de instrucciones, escanee el código QR:



Please read the following instruction manual carefully  
before using the appliance and keep it for future use.

### READ ALL INSTRUCTIONS BEFORE USE



WARNING: TO REDUCE THE RISK OF ELECTRIC SHOCK DO NOT REMOVE COVER (OR BACK), NO USER SERVICEABLE PARTS INSIDE REFER SERVICING TO QUALIFIED SERVICE PERSONNEL



The lightning flash with arrowhead symbol, within an equilateral triangle is intended to alert the user to the presence of insulated 'dangerous voltage' within the product's enclosure that may be of sufficient magnitude to constitute a risk of electric shock to persons.



The exclamation point within an equilateral triangle is intended to alert the user to the presence of important operating and maintenance (servicing) instructions in the literature accompanying the appliance

### SAFETY INSTRUCTIONS

1. Read this Instruction Manual before you attempt to connect or operate the appliance.
2. Keep these instructions in good condition. Heed all warnings. Follow all instructions.
3. The apparatus shall not be exposed to dripping or splashing and no objects filled with liquids, such as vases, shall be placed on the product.
4. No naked flame sources, such as candles, should be placed on the product.
5. Children should be supervised to ensure that they do not play with the appliance.
6. Ventilation should not be impeded by covering the ventilation openings.
7. Ensure that the unit is plugged into an AC 100-240V 60/50Hz power outlet. Using higher voltage may cause the unit to malfunction or even fire catching. Turn off the unit before unplugging it from power source to completely switch it off.
8. Do not plug/ unplug the power plug into/from an electrical outlet with wet hands.
9. If the power plug does not fit into your outlet, do not force the plug into an electrical socket.
10. Place the unit where there is good ventilation. Place the system on a flat, hard and stable surface. Do not expose to temperatures above 40°C. Allow at least 30 cm clearance from the rear and the top of the unit and 5 cm from each side.
11. Press the buttons of the unit gently. Pressing them too hard can damage the unit.
12. Dispose of the remote control used battery in an environmental-responsible manner.
13. Always ensure that the product is unplugged from the electrical outlet before moving or cleaning. Clean it with dry cloth only.
14. Unplug the product during lightning, storms or when it will not be used for long periods of time.
15. This product has no user-serviceable parts. Do not attempt to repair this product yourself. Only qualified service personnel should perform servicing. Take the product to the electronics repair shop of your choice for inspection and repair.
16. Don't mount this product on a wall or ceiling.
17. Do not place the unit near TVs, speakers and other objects that generate strong magnetic fields.
18. Do not leave the unit unattended when it is in use.



## CLASS 1 LASER PRODUCT LABEL

This label is attached to the place as illustrated to inform that the apparatus contains a laser component.



This label is placed inside the unit. As shown in the illustration. To warn against further measures on the unit.

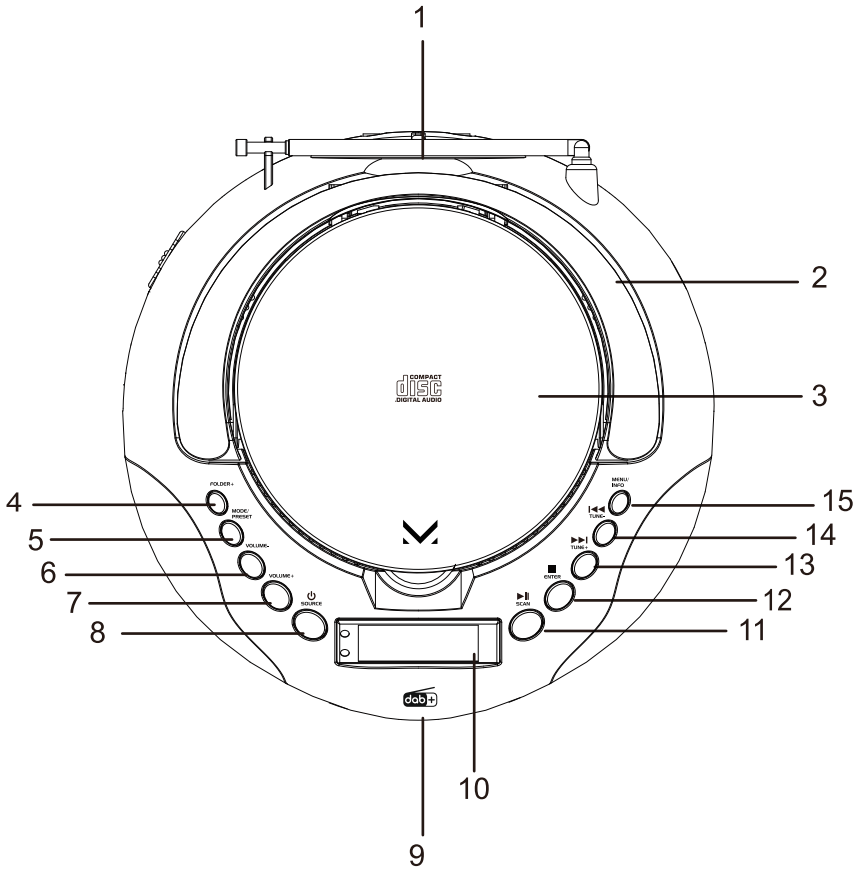
The equipment contains a laser radiating laser rays according to the limit of laser product of class 1.



## WARNING: DO NOT INGEST BATTERY, CHEMICAL BURN HAZARD

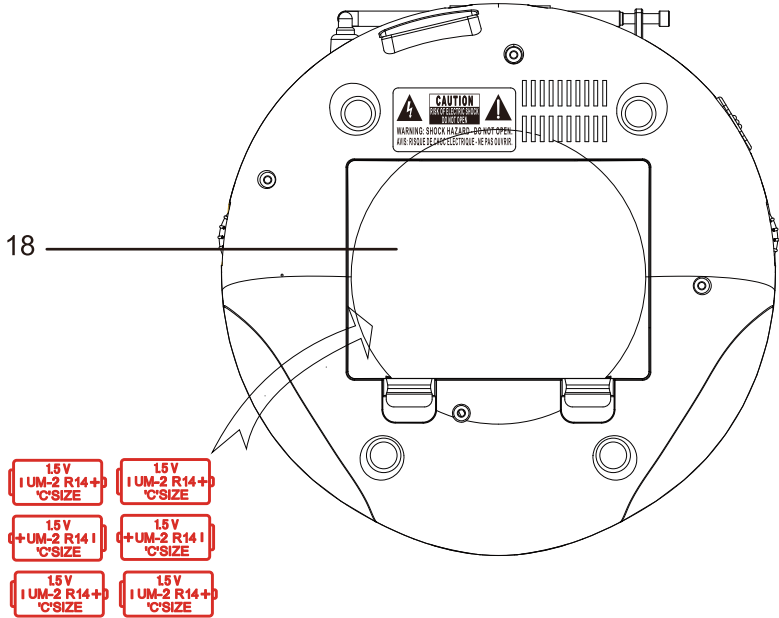
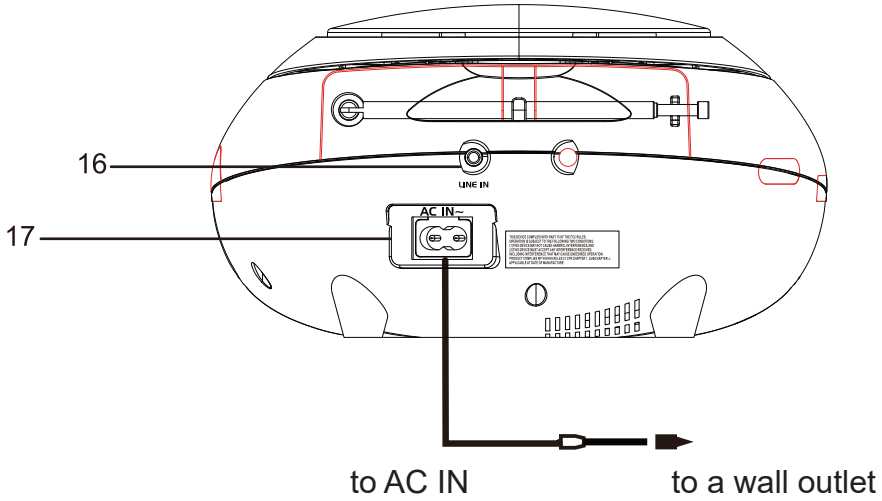
1. READ INSTRUCTIONS - All the safety and operating instructions should be read before the appliance is operated.
2. RETAIN INSTRUCTIONS - The safety and operating instruction should be retained for future reference.
3. HEED WARNINGS - All warnings on the appliance and in the operating instructions should be adhered to.
4. FOLLOW INSTRUCTIONS - All operating instructions should be followed.
5. WATER AND MOISTURE - The appliance should not be used near water, or example, near a bathtub, washbowl, Kitchen sink, Landry tub, swimming pool or in a wet basement
6. VENTILATION - The appliance should be situated so that its location or position does not interfere with its proper ventilation. Do not place on bed, sofa, rug or similar surface that may block the ventilation openings, in a built-in installation, such as a bookcase or cabinet that may impede the flow of air through the ventilation openings.
7. HEAT - The appliance should be situated away from heat sources such as radiators, stoves, or other appliances (including amplifiers) that produce heat.
8. POWER SOURCE - The appliance should be connected to power supply only of the type described in the operating instructions or as marked on the appliance.
9. POWER CORD PROTECTION - Power supply cords should be routed so that they are not likely to be walked on or pinched by items placed upon or against them.
10. OBJECT and LIQUID ENTRY - Care should be taken so that objects do not fall and liquids are not spilled into the enclosure through openings.
11. ESD WARNING - The display does not function properly or no reaction to operation of any the control may due to the electrostatic discharge. Switch off and unplug the set. Reconnect after a few seconds.
12. DAMAGE REQUIRING SERVICE - The appliance should be serviced by qualified service personnel when:
  - a. The power-supply cord or plug has been damaged.
  - b. Objects have fallen into, or liquid has been spilled into the appliance enclosure.
  - c. The appliance has been exposed to rain.
  - d. The appliance has been dropped, or the enclosure damaged.
  - e. The appliance does not appear to operate normally.
13. SERVICING - The user should not attempt to service the appliance beyond that described in the user operating instructions. All other servicing should be referred to qualified service personnel.

# LOCATION OF CONTROLS



- 1. Antenna
- 2. Handle
- 3. CD Door
- 4. Folder+
- 5. Mode/Preset
- 6. Volume-
- 7. Volume+
- 8. Power On/Off/ Source
- 9. USB Port
- 10. LCD Display
- 11. Play/Pause / Scan
- 12. Stop/Enter
- 13. Skip+/Tune+
- 14. Skip-/Tune-
- 15. Menu/Info
- 16. Aux In
- 17. AC In
- 18. Battery Door

INCLUDES  
 AC Power Cord



## POWER SUPPLY

### AC

Connect the power cord to the AC socket of the device. Connect power cord plug to the household power outlet.

### DC

6 x C size batteries (Not included) into the battery compartment.

## POWER SOURCE

1. Hold the "POWER" button to turn the appliance On or Standby.
2. Press the "SOURCE" button to choose different modes.

## VOLUME CONTROL

Press the "VOLUME +/-" button to adjust the volume level.

## ANTENNA

Use Antenna to improve the signal reception.

1. Extend the antenna.
2. Adjust the position of the antenna for the best reception.

## FM RADIO

1. Press the "SOURCE" button to select the FM mode.
2. Press the "SCAN" button to find the nearest station.
3. Press or hold the "TUNE +/-" button to search for automatic frequency of the nearest station.

## PRESET STATION

30 memory preset station = FM

## PRESET STORE

1. Press the "TUNE +/-" button to select the radio station.
2. Hold the "PRESET" button to preset store mode.
3. Press the "SKIP +/-" button to choose the number of preset station (From 1 to 30).
4. Press the "ENTER" button to confirm the selection.
5. Hold the "SCAN" button to do full scan. Some stations are automatically stored with suitable signal strength.

After the search is completed, the first stored station is broadcast automatically.

## PRESET RECALL

1. Press the "PRESET" button to preset recall mode.
2. Press the "TUNE +/-" button to choose the number of preset station (From 1 to 30).
3. Press the "ENTER" button to confirm the selection.

## RDS INFORMATION

Radio Data System (RDS) allows FM stations to transmit additional information.

When you tune to an FM radio station that transmits RDS signals, the station name is displayed.

Press the "INFO" button to get the following RDS information (if available):

- Radio text
- Program type (such as NEWS, SPORT, POP...)
- Name / Mono
- Time
- Date

## USING THE FM MENU

1. Hold the "MENU" button.
2. Press the "SKIP +/-" button to choose different modes.
3. Press the "ENTER" button to confirm the selection.

## SCAN SETTING

Press the "SKIP +/-" button to confirm the selection below:  
(The asterisk behind the option indicates the current setting.):

- Strong station only
- All Stations: Regardless of the signal strength

## AUDIO SETTING

Press the "SKIP +/-" button to choose. Press Enter button to confirm the selection

- Stereo allowed
- Forced mono

## SYSTEM

The available System settings are as described in the below section DAB MENU

## DAB RADIO

1. Press the "SOURCE" button to select the DAB mode.
2. Full auto search will be started at the first time or the radio station list is empty.
3. Press the "SCAN" button to find the nearest station.
4. Press or hold the "TUNE +/-" button to search for automatic frequency of the nearest station.

## PRESET STATION

30 memory preset station = DAB

## PRESET STORE

1. Press the "TUNE +/-" button to select the radio station.
2. Hold the "PRESET" button to preset store mode.
3. Press the "SKIP +/-" button to choose the number of preset station (From 1 to 30).
4. Press the "ENTER" button to confirm the selection.
5. Hold the "SCAN" button to do full scan. Some stations are automatically stored with suitable signal strength.

After the search is completed, the first stored station is broadcast automatically.

## PRESET RECALL

1. Press the "PRESET" button to preset recall mode.
2. Press the "TUNE +/-" button to choose the number of preset station (From 1 to 30).
3. Press the "ENTER" button to confirm the selection.

## DISPLAYING DAB INFORMATION

Press the "INFO" button to get the following information (if available):

- Frequency
- Ensemble name
- Time
- Date

## USING THE DAB MENU

1. Press and hold the "MENU" button.
2. Press the "SKIP +/-" button to choose different modes.
3. Press the "ENTER" button to confirm the selection.

## FULL SCAN

Press the "ENTER" button to do full scan.

The full scan is used to perform a wide range search for DAB stations.

## MANUAL TUNE

1. Press the "TUNE +/-" button to tune the frequency.
2. Press the "ENTER" button to confirm the selection.

## DRC (DYNAMIC RANGE CONTROL)

1. Press the "SKIP +/-" button to confirm the DRC off, low or high setting:

(The asterisk behind the option indicates the current setting.)

DRC off:: No compensation applied DRC low: Medium compensation applied

DRC high: Maximum compensation applied

2. Press the "ENTER" button to confirm the selected DRC.

## PRUNE

1. Press the "SKIP +/-" button to choose "No" or "Yes".
2. Press the "ENTER" button to confirm selection.

No: Return to the previous menu.

Yes: Remove invalid stations from the station list.

## SYSTEM

1. Press the "SKIP +/-" button to choose different modes
2. Press the "ENTER" button to confirm the selection.

## SLEEP

1. Press "SKIP +/-" button to select shut of time (Options: Off, 15, 30, 45, 60 and 90 minutes).

2. Press the "ENTER" button to confirm the selection.

After the set time has elapsed, the device automatically switches to standby

\*This function will activate the automatic shut-off mode.

## TIME

1. Press the "SKIP +/-" button to choose one of the following setting options:

- Time/date settings

- Automatic update

- 12/24 hour setting

- Date format setting

2. Press the "ENTER" button to confirm the selection.

### Set Time/Date:

1. Press the "SKIP +/-" button to choose the time, then press the "ENTER" button to save.

2. Press the "SKIP +/-" button to choose the date, then press the "ENTER" button to save.

### Auto Update:

Press the "SKIP +/-" button to choose the instruction, then press the "ENTER" button to save:

- Update from any source (DAB or FM)

- Update from DAB

- Update from FM

- No update

#### Set 12/24 Hour:

Press the "SKIP +/-" button to choose the instruction, then press the "ENTER" button to save:

(The asterisk behind the option indicates the current setting)

- 12 hour
- 24 hour

#### Set Date Format:

Press the "SKIP +/-" button to choose the instruction, then press the "ENTER" button to save:

(The asterisk behind the option indicates the current setting)

- DD-MM-YYYY (TT-MM-JJJJ)
- MM-DD-YYYY (MM-TT-JJJJ)

#### BACKLIGHT

Press the "SKIP +/-" button to choose the instruction, then press the "ENTER" button to confirm the selection.

#### Timeout

Press the "SKIP +/-" button to select the Timeout level

- 10, 20, 30, 45, 60, 90, 120, 180 sec or On

#### On level

Press the "SKIP +/-" button to select the On level

- High
- Medium
- Low

(The asterisk behind the option indicates the current setting)

#### DIM Level

Press the "SKIP +/-" button to select the Dim level

- High
- Medium
- Low

#### LANGUAGE

1. Press the "SKIP +/-" button to choose the instruction.
2. Press the "ENTER" button to confirm the selection.

- English (Englisch)
- Deutsch
- Italiano (Italienisch)
- Français (Französisch)

#### FACTORY RESET

Press the "SKIP +/-" button to choose "Yes" or "No". Press the "ENTER" button to confirm the selection.

#### SW VERSION

This option displays the current software version



## CD

1. Press the "SOURCE" button to CD mode.
2. Put CD into the CD door insides.
3. Auto reading & playing from first track.
4. Press the "PLAY/PAUSE" button to pause playback temporarily (Display blinking)
5. Press & Hold the "SKIP+/-" button to skip the next or previous tracks & search the point of sound quickly.
6. Press the "STOP" button to stop the playback.

## USB

1. Press the "SOURCE" button to USB mode.
2. Put USB drive into the USB port.
3. Auto reading & playing from first track.
4. Press the "PLAY/PAUSE" button to pause playback temporarily (Display blinking)
5. Press & Hold the "SKIP+/-" button to skip the next or previous tracks & search the point of sound quickly.
6. Press the "STOP" button to stop the playback.

## PROGRAMMED

CD = max 20 tracks MP3 = max 99 tracks

1. Press the "STOP" button.
  2. Press the "PRESET" button. P01 will appear on display. ("MEM" display on)
  3. Press the "SKIP+/-" to select the track.
  4. Press the "PRESET" button to save the selected track.
- \*Repeat the step to save more selected tracks.
5. Press the "PLAY/PAUSE" button to play the programmed track list.
  6. Press the "STOP" button twice to cancel the programmed track list.
- \*REPEAT ONE, DIR, ALL, INTRO, Folder function is available for programmed track list.

## REPEAT

Press the "MODE" Button during Playing CD or MP3. Each Press  
REPEAT ONE REPEAT DIR (MP3) REPEAT ALL RANDOM

## INTRO

NORMAL PLAYBACK

## REPEAT

Press the "FOLDER" Button to change the different folder.

## AUX

Press the "SOURCE" button to select the AUX mode.

Use a 3.5 mm jack AUX IN cable (not included) to connect the AUX IN jack and external audio player.  
Control the music from the external audio player (Volume adjustment by the device).

## ENERGY SAVING

For Energy saving, system will return to the standby mode automatically if unit have stopped operating in AUX mode for 15 minutes.

## TECHNICAL SPECIFICATIONS

CD, CD-R/CD-RW

Frequency range: FM: 87.5-108 MHz

DAB / DAB +: 174,928 ~ 239.200 MHz

30 memory preset station = DAB 30 memory preset station = FM




AC Adaptor: Input: AC 230V ~ 50Hz

Unit dimensions: 22 (L) x 21.7 (D) x 11.8 (H) cm Weight: 1Kg

**MAJESTIC**  
**AH 265 DAB**


FM 87.5 – 108 MHz  
DAB/DAB+: da 174.928 MHz a 239.200 MHz  
Consumo: 13W  
Alimentazione AC 230V-50Hz  
(cavo di alimentazione incluso)  
Alimentazione a batterie DC 9V:  
1.5V UM-2/C x 6pz. (batterie non incluse)  
MADE IN CHINA


New Majestic SpA  
Via Rossi Martini, 41  
26013 CREMA (CR) ITALY  
TEL: 0373 31415  
www.newmajestic.com  
info@newmajestic.com



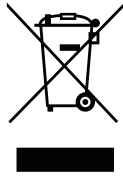
**MAJESTIC**  
New Majestic SpA  
Via Rossi Martini, 41  
26013 CREMA (CR) ITALY  
TEL: 0373 31415  
www.newmajestic.com  
info@newmajestic.com

MADE IN CHINA

 WEEE Logo  
(Waste electrical and electronic equipment)

 Class II, double insulation`

## INFORMATION TO USERS OF DOMESTIC EQUIPMENTS



**Pursuant to Art. 25, Paragraph 1 of the Legislative Act N. 49 14th March 2014, "Implement of the Directives 2011/65 / EU and 2012/19 / EU concerning the reduction of the use of hazardous substances in electrical and electronic equipment, as well as waste disposal".**

The crossed bin symbol on the appliance or on its packaging indicates that the product at the end of its useful life must be collected separately from other waste. The user must, therefore, dispose the equipment at the end of its life to the appropriate electronic and electro technical waste centers, or return it to the retailer at the time of purchase of a new type of equivalent equipment, one by one.

Appropriate separate disposal for the subsequent start-up of the disused equipment for recycling, treatment and compatible environmental disposal helps to avoid possible negative effects on the environment and health and favors the re-use and / or recycling of the materials it is composed the equipment.

The illegal disposal of the product by the user involves the application of the penalties referred to in current laws.

Any rechargeable batteries or rechargeable batteries contained in the device must be disposed separately in the appropriate expired batteries bins.

### **Battery disposal**



Disposal of expired batteries must take place at the appropriate recycling centers or according to local authority. Batteries in compliance with the 2013/56 / EC directive.