

MAJESTIC

User Manual

HD Digital Terrestrial Receiver

MODEL NO.: DEC 665 HD USB



New Majestic S.p.A.
Via Rossi Martini, 41
26013 Crema (CR) – ITALY
www.newmajestic.com
MADE IN CHINA

Please read this user manual before using or connecting this product.
And keep it handy for future reference.



SAFETY WARNINGS

For safe use and maximum performance, please read this manual carefully before use.

CAUTION: TO REDUCE THE RISK OF ELECTRIC SHOCK, DO NOT DISASSEMBLE THE APPLIANCE. THERE ARE NO USER SERVICEABLE PARTS. FOR REPAIRS CONTACT QUALIFIED TECHNICAL STAFF.

To avoid the danger of electric shock or fire, do not expose to rain or moisture. Read all safety instructions before use.



DANGEROUS VOLTAGE!



The symbol to the side warns the user of the presence of voltage that could not be isolated and may cause electric shock.



This symbol warns the user that before using the unit, it is necessary to carefully read the instruction booklet.

IMPORTANT NOTES

- The use must be allowed only to adults and responsible persons, adequately educated on the damages deriving from incorrect use.
- This appliance can be used by children aged 8 and over if they are under supervision or if they have received instructions regarding the safe use of the appliance and if they understand the dangers.
 - involved. Cleaning and maintenance operations by the user must not be carried out by children unless they are over 8 years of age and operate under supervision. Keep the appliance and its cord out of the reach of children under the age of 8.
- The devices can be used by people with reduced physical, sensory or mental abilities or with a lack of experience and knowledge if they are supervised or if they have received instructions regarding the safe use of the appliance and understand the dangers involved.
- Children must not use the appliance as a game.
- Do not allow the appliance to be used by children or the disabled without supervision
- Keep away from pets
- Never use the appliance in places where the cord, plug and the product itself may come into contact with water or wet surfaces. Do not use the appliance outdoors, as rain could create short circuits. Do not touch the appliance with wet hands.
- Avoid installing the unit in the locations listed below:
 - Places exposed to direct sunlight or close to equipment that generate heat, such as radiators;
 - Above other stereo equipment that may radiate excessive heat;
 - Places that block ventilation or are humid or dusty;
 - Environments subject to constant vibration;
- Do not place accessories with naked flames, such as lighted candles, on the appliance.
-

- Do not try to repair or intervene on the appliance yourself. Incorrect interventions or tampering can void the guarantee. In the event of any damaged parts or suspected malfunction, discontinue use immediately and consult qualified personnel. Never immerse the appliance in water or other liquids. Do not place vessels containing liquids (such as vases) on top of the appliance.
- Do not touch the appliance with wet hands and do not place it near sinks, tubs or containers of liquids.
Use the product only if it is in perfect condition. If the appliance has been immersed in water or is damaged, contact qualified personnel. Do not try to repair the appliance yourself. Any tampering or incorrect repairs void the warranty.
- The product should not be used if it has been dropped or if there are any visible signs of damage.
- Exposure to high volume levels can cause hearing problems, including permanent damage. The predisposition to hearing loss varies from person to person, however constant exposure to high volume levels is harmful to anyone. Moderate the volume level.

REMOTE CONTROL

STANDBY: Turn on/off

Page -: In the program list and multimedia, page down

Page +: In the program list and multimedia, page up

Mute: Turn off/on voice.

L/R: Selection of available languages

FAV: Show favorites list

Subtitle: Enter/exit subtitle menu

TEXT: DVB teletext

GOTO: Go forward or backward under video file

Recall (↺): Return to previous menu

EPG: Electronic Program Guide

Menu: Enter main menu

USB: Play previous USB media

EXIT: Go back directly to full screen display

TV/RADIO: Switch between TV and Radio mode

Number Key: <0-9>

Direction key: Up/down/left/right

OK: Confirm selection on operating menu

Or hot-key of "QUICK SELECT" in full-screen playing **VOL -**

/+: Volume adjusting

INFO: Display program information in full-screen playing

CH+/CH-: Go next/previous channel.

PLAY: Play movie playing

PAUSE: Pause movie playing

Stop (■): Stop movie playing

PREV (◀◀): Previous chapter

NEXT (▶▶): Next chapter

FR (◀◀): Rewind

FF (▶▶): Fast forward

RED KEY: context key to the menu

GREEN KEY: HDMI video resolution change / function key contextual to the menu

YELLOW KEY: change the image ratio / function key contextual to the menu

BLUE KEY: function key contextual to the menu



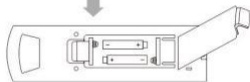
Battery Installation

Insert the batteries (included) while observing the correct (+) and (-) polarities as illustrated belows:

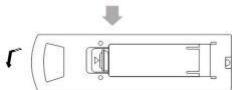
1, Remove the battery cover in the direction of the arrow.



2 Insert two 1.5V AAA batteries, Paying attention to the correct Polarities (+ and -)



3, Replace the battery cover. About the batteries If the remote control unit fails to work even when it is operated near the receiver, please replace the batteries.



Use size UM-4 (AAA) BATTERIES.

Notes:

Do not use rechargeable (Ni-Cd) batteries.

Does not attempt to recharge, short circuit, disassemble or throw the batteries in the fire.

Do no drop, step on or cause any impact to the remote control unit. This may damage it, resulting in malfunction.

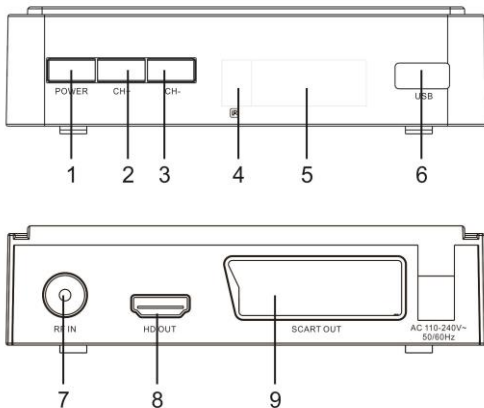
Do not mix old and new batteries.

If the remote control unit is not going to be used for a long time, remove the batteries.

Caution

Keep batteries out of children's reach. If batteries are swallowed, contact a physician immediately.

FRONT AND REAR PANEL

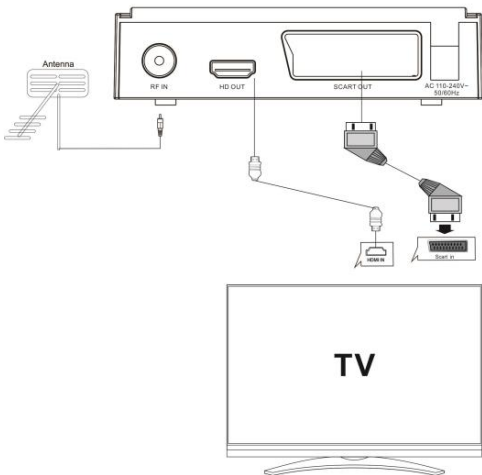


- 1.Power on/off button
- 2.Change channel up button
- 3.Change channel down button
- 4.Remote control signal sensor
- 5.USB jack
6. RF-IN: Digital Terrestrial TV Broadcast signal input
- 7.HDMI output (version 1.4)
8. Scart output
9. AC input power source

INSTALLATION

CONNECTING THE RECEIVER

Before you connect your STB to your TV please ensure that it's is placed on a flat and stable surface. Please refer to the below diagram and your TV's user manual for cable installation instructions.



INSTALLATION GUIDE

If you are using the unit for the first time or have restored the unit to Factory Default, the installation Guide Menu will appear on you TV screen.

(1) [OSD Language] Press RIGHT/LEFT Key to select a language.

(2) [Country] Press RIGHT/LEFT key to Select your country of residence.

(3) [Channel Search] Press RIGHT/LEFT Or OK key to begin Automatic channel Search.



If no channels is found during the channel searching process, please check your antenna connections and antenna are in working order, after the scanning process is completed the receiver with automatically save the scanned channels and display the first channel in the list. While you are using the unit, you can access the CHANNEL search menu to do the AUTO/MANUAL channel search. Press MENU key on the remote and select [Channel Search] using RIGHT/LEFT keys.

MENU

MAIN MENU

Most functions are available in main menu. A password will be required when modifying advanced options in the Menu. The Default password is "000000".

Press the menu key on the remote control; You can access the Main Menu. Use the LEFT and RIGHT Keys to navigate through the menu. Select the Desired option and press the OK key or the RIGHT key to adjust the settings. Press the EXIT key to exit the main menu.



A. Program Settings:

In this menu you can edit program preferences, check the TV program guide (EPG), choose the type of channel sorting and change the duration of the information banner.

B. Picture Settings:

In this menu you can set the correct image ratio, depending on the TV in use, the video resolution of the HDMI output, the TV format (PAL / NTSC), the type of video signal adopted by the scart socket and the transparency level of the OSD menu.

C. Channel Search settings:

(a) Auto Search: This option will automatically search for TV and Radio channels and save them once the scanning is complete. All previously saved channels and settings will be deleted.

(b) Manual Search: This option allows you to scan for new channels without deleting previously saved channels and settings.

(1) Select "Manual Search" and press the "OK" or "Right" key. The Manual Channel search screen will appear.

(2) Press the "Right" or "Left" keys to select the channel frequency. (3) Press the "OK" key to start scanning for new channels.

(4) If a new channel is found, it will be saved and stored along with the rest of the channels. If no channels are found, the unit will automatically exit after finishing the scanning process.

D. Time settings:

In this menu it is possible to modify the time zone settings (GMT), activate the Sleep (programmed automatic switch-off) and set both the switch-on and switch-off automatically, setting a time for both.

E. Option:

The Menu contains the following options:

OSD Language: Change the ON Screen Display language. Subtitle language: Select the subtitle language.

Audio language: If the program has multi-languages. Set your preference here.

F. System settings:

The menu contains the following options:

a) Parental Guidance: The options for setting up the age reference starts from 4 years to 18 years. To access this function you will require inputting a code. The default password is "000000". This function can also be deactivated simply by setting it to OFF.

b) Set Password: It allows you to modify the default password, which is "000000".

c) Restore Factory Default: It allows you to restore the unit to its default factory settings.

You will be asked to enter your password "000000". Press "OK" key once done.

Note: This function will delete all your saved channels and your personal settings. d)

Information: You can check the software version of your unit.

If corrective software updates are published on our website www.newmajestic.com this function will allow them to be executed.

G. USB Settings:

The USB menu has 3 options:

(a) MULTIMEDIA:

While in TV mode, press the "USB" button to access to the Multimedia menu. The menu contains 3 different icons: Music, Photo and Movie.

The MUSIC option is used to play audio files, IMAGES is used to play image files, VIDEO is used to play video files.

Video codec: MPEG-2/4 (H.264) / VC-1 / HEVC (H.265)

Audio codec: MPEG-1 / MPEG-2 layer / 11 / MP3 / AC-(Dolby Digital) E-AC-3 (Dolby Digital Plus) **Container:** TS / MPG / MP4 / AVI / MKV

Resolution: 1080p | 1080i | 720p | 576p | 576i | 480p | 480i

Frames: MPEG-2/4 1080p @ 30fps / (H.264) | 1080p @ 60fps | HEVC (H.265) 1080p @ 60fps

Image file: JPEG / PNG / BMP

Audio file: MP3

This device supports USB sticks with FAT32 system files.

(b) Photo settings:

- Interval: set the slide show interval between 1-8 seconds.

- Type: set the slide show effect between 0-59 or random.

- Image report:

[Keep]: displays the image in its original appearance. [Reject]: Display the image in full screen.

(c) Video

settings: -

Subtitles:

[Small]: displays subtitles with small size characters. [Normal]: Displays subtitles in normal mode.

[Large]: Displays subtitles using large characters. - Subtitle background:

[White]: Displays subtitles on a white background. [Transparent]: displays subtitles on a transparent background. [Gray]: Displays subtitles on a gray background. [Yellow / Green]: Displays the subtitles on a yellow / green background.

- Text color:

[Red]: displays subtitles in red character [Blue]: displays subtitles in blue character [Green]: displays subtitles in green font. [White]: Displays subtitles in white font. [Black]: displays subtitles in black font.

Troubleshooting

The below table is a list of common problems that many occur with your receiver.

Fault	Possible cause	
Power on, but nothing display red on screen	Unit not turned on at mains switch	Ensure power plug is plugged into wall socket and switch is on
TV picture drops out and thru unit displays "NO signal"	Antenna is not properly connected or you are in a bad reception area	Talk to your local TV antenna technician about reception problems in your area and whether a new antenna would benefit you
Receiving digital TV but missing some channels	Antenna is not properly connected or you are in a bad reception area	Talk to your local TV antenna technician about reception problems in your area and whether a new antenna would benefit you
Remote is not working	Batteries are flat or there is interference	Talk to your local TV antenna technician about reception problems in your area and whether a new antenna would benefit you

TUNER

Input connector	IEC16902.Female
Input Frequency range	VHF&UHF
Num of RF input	1
Input impedance	75ohm
RF output connector	(Bypass)IEC 169-2 male
Loop through	177.5-866MHz

Demodulation

Standard	ETSU EN300 744
Guard interval models	1/32, 1/16, 1/8 active symbol duration
FEC Modes rate	1/2,2/3,3/4,5/6.7/8
Carriers/constellation	All modes supported including non hierarchical
Demodulation	COFDM (QPSK/QAM16/QAM64/QAM256)2k and 8K.

Video decoder

Stand	ISO/IEC 13818-2 and ISO/IEC 14496-10
Transport stream	ISO/IEC 13818-1
Video decoding	MPEG-2 SD/HD (MP@ML and MP@HL), MPEG-4 H.264/AVC H.265/HEVC SD/HS JPEG, BMP, PNG, MOTION JPEG AVI, VOB, MOV, MKV
Aspect ratio	4: 3/16:9

AUDIO DECODER

Standard	SO/IEC13818-3 TR1011154
Audio decoding	MPEG-1 and MPEG-2 layer 1 &11
Dolby digital (AC-3)	Stereo down-mixing to analog and digital audio outputs (Including HDMI).For digital outputs, L-PCN stereo encoding Is provided
Sample rate	32KHZ, 22.1KHZ, 44.1KHZ, 48KHZ

Subtitle

Subtitle	DVB subtitle
----------	--------------

Power

AC input range	AC 110 - 240V 50/60Hz
Power consumption	<10w
Standby consumption	0.5w

INFORMATION TO USERS OF DOMESTIC EQUIPMENT

Pursuant to Art. 25, Paragraph 1 of the Legislative Act N. 49 14th March 2014, "Implement of the Directives 2011/65 / EU and 2012/19 / EU concerning the reduction of the use of hazardous substances in electrical and electronic equipment, as well as waste disposal".



The crossed bin symbol on the appliance or on its packaging indicates that the product at the end of its useful life must be collected separately from other waste. The user must, therefore, dispose the equipment at the end of its life to the appropriate electronic and electro technical waste centers, or return it to the retailer at the time of purchase of a new type of equivalent equipment, one by one. Appropriate separate disposal for the subsequent start-up of the disused equipment for recycling, treatment and compatible environmental disposal helps to avoid possible negative effects on the environment and health and favors the re-use and / or recycling of the materials it is composed the equipment.

The illegal disposal of the product by the user involves the application of the penalties referred to in current laws.

Any rechargeable batteries or rechargeable batteries contained in the device must be disposed separately in the appropriate expired batteries bins.

Battery disposal



Disposal of expired batteries must take place at the appropriate recycling centers or according to local authority. Batteries in compliance with the 2013/56 / EC directive. Warning: the battery may explode if replaced incorrectly, if exposed to heat or water. Do not cause short circuit. Replace the battery only with an equivalent. Do not place

the battery in direct sunlight or in places excessively hot (over 40 ° C). use only with the adapter provided by the manufacturer. Do not hit or press the battery.



Class II, double insulation



Indoor use



WEEE Logo (Waste electrical and electronic equipment)



Dangerous voltage



Battery disposal



Eco-contributo RAEE assolto ove dovuto - N° Registro AEE: IT08020000001647
Eco-contributo PILE assolto ove dovuto - N° Registro PILE: IT19070P00005533