

# MAJESTIC

## 27" UHD LED TV

MODEL NO.: TVD 227 S2 UHD



## USER MANUAL

CE



New Majestic S.p.A. Via Rossi Martini, 41, 26013 Crema (CR) – Italy



[www.newmajestic.com](http://www.newmajestic.com)

ASSEMBLED IN EU

Please read this manual carefully before using,  
and keep it for future reference.

## IMPORTANT INSTRUCTIONS

### SAFETY INSTRUCTIONS

 <p>The lightning flash and arrow head within the triangle is a warning sign alerting you of “dangerous voltage” inside the product.</p>	<p style="text-align: center;"><b>CAUTION</b> <b>RISK OF ELECTRIC SHOCK</b> <b>DO NOT OPEN</b></p> <p><b>CAUTION: TO REDUCE THE RISK OF ELECTRIC SHOCK. DO NOT REMOVE COVER (OR BACK). NO USER SERVICEABLE PARTS INSIDE. REFER SERVICING TO QUALIFIED SERVICE PERSONNEL.</b></p>	 <p>The exclamation point within the triangle is a warning sign alerting you of important instructions accompanying the product.</p>
---	--	---

### **WARNING – TO REDUCE THE RISK OF FIRE, ELECTRIC SHOCK, OR SERIOUS PERSONAL INJURY:**

- If the cord is damaged, have it repaired by the manufacturer, its service or a similarly qualified person in order to avoid any hazard.
- The cord should always be readily accessible.
- The apparatus shall not be exposed to dripping or splashing of water or liquids and that no objects filled with liquids such as flowers vases shall be placed on the product.
- The normal ventilation of the product shall not be impeded for intended use.
- Always leave a minimum distance of 10 cm around the unit to ensure sufficient ventilation.
- Naked flame sources, such as candles, should not be placed on top of the device.
- The device is intended for use only in a temperate climate.
- Situate this product away from heat sources such as radiators, heat registers, stoves, or other appliances (including amplifiers) that produce heat.
- Clean the product only as recommended by the manufacturer (see “Maintenance” section for details). Unplug the power plug from the wall outlet before cleaning,
- Unplug the power plug from the wall outlet when left unused for an extended period.
- Prevent objects/liquids from falling or spilled on the product.
- Operate the product only with the supplied power cord. Route power cords so they are not likely to be walked on or pinched by items placed upon or against them, paying particular attention to plugs, convenience receptacles, and the point where they exit from the product.

- Where the MAINS plug or an appliance coupler is used as the disconnect device, the disconnect device shall remain readily operable.
- Do not operate this product under the following conditions.
  - When the power-supply cord or plug is damaged.
  - If liquid has been spilled into or objects have fallen into the product.
  - If the product has been exposed to rain or water.
  - If the product does not operate when used according to the operating instructions.
  - If the product has been dropped or damaged in any way.
- Do not attempt to service the product; take it to the electronics repair shop of your choice for any servicing or repair.
- Do not overload wall outlets, extension cords, or integral convenience receptacles.
- Connect this product to the power outlet which has protective earth connection.

 **CAUTION- TO REDUCE THE RISK OR PERSONAL INJURY OR PRODUCT/PROPERTY DAMAGE:**

- This product is intended solely for non-commercial, non-industrial, personal use as a television. Do not use this product for any other purpose.
- Do not subject the product to violent shocks, extreme temperatures, or lengthy periods of direct sunlight.
- Keep the product away from magnetic objects, motors, and transformers.
- Do not use outdoors in inclement weather.
- Do not use the TV while driving; this is dangerous and is illegal in some areas.

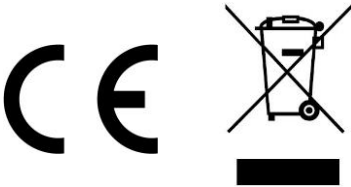
**BATTERY HANDLING AND USAGE:**

- **CAUTION:** Danger of explosion if battery is incorrectly replaced or not replaced by the same type or equivalent.
- The battery should not be exposed to excessive heat such as sunshine, fire or similar.
- Different types of batteries, new and used batteries should not be mixed.
- The battery must be installed according to the polarity.
- If the battery is worn, it must be removed from the product.
- The battery must be disposed of safely. Always use the collection bins provided (check with your dealer) to protect the environment.
- Keep batteries away from children and pets. Only adults should handle batteries.

- Never throw batteries into a fire or expose them to fire or other heat sources.
- Follow the battery safety and usage instructions.

## DISPOSAL OF OLD ELECTRICAL APPLIANCES

The European directive 2012/19/EU on Waste Electrical and Electronic Equipment (WEEE), requires that old household electrical appliances must not be disposed of in the normal unsorted municipal waste stream. Old appliances must be collected separately in order to optimize the recovery and recycling of the materials they contain, and reduce the impact on human health and the environment. The crossed out “wheeled bin” symbol on the product reminds you of your obligation, that when you dispose of the appliance, it must be separately collected.



**To avoid possible hearing damage, do not listen at high audio volume for long periods of time.**

Occasionally, a few non-active pixels may appear on the screen as a fixed black, blue, green or red point. Please note that this does not affect the performance of your product. Take care not to scratch the screen with fingernails or other hard objects.

## ACCESSORIES

User Manual.....	1
Remote Control.....	1

All the pictures in this manual are just for your reference, appearance and display should subject to the final product.

# TABLE OF CONTENTS

## **GETTING STARTED**

IMPORTANT INSTRUCTIONS.....	1-3
ACCESSORIES.....	3
FEATURES.....	5
GENERAL PARTS.....	6-7
REMOTE CONTROL.....	8
REMOTE CONTROL PREPARATION.....	9
BASIC CONNECTION.....	10-13

## **OPERATIONS**

BASIC OPERATIONS.....	14-19
MAIN MENU.....	20-30
FIRST TIME INSTALLATION.....	20
DTV MODE.....	21-29
ATV AND OTHER MODES.....	29
SATELLITE MODE.....	30

## **FOR REFERENCE**

MAINTENANCE.....	31
STAND INSTALLATION.....	31
SPECIFICATIONS.....	32-33
TROUBLESHOOTING.....	34-36

## FEATURES

### **27" LED DISPLAY**

This unit has a built-in LED display window to provide clear vision and low radiation.

### **With Parental Lock**

### **Support Auto TV Scanning**

### **Support Digital Broadcasting Reception**

### **Support TV Guide Function**

### **Support TELETEXT (Europe) Function**

### **Support USB Multimedia Playback**

### **Support Multi-languages On Screen Display**

### **Support Full Function Remote Control**

### **Support HDMI, SCART, AV, YPBPR and CI Input**

### **Support EARPHONE and COAXIAL Output**

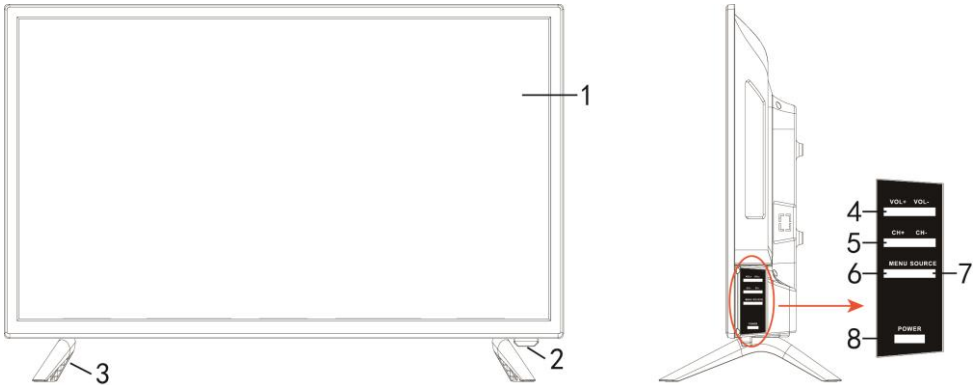
### **With Detachable Stand Holder**

### **With External Antenna Jack**

### **With Built-in Speakers**

# GENERAL PARTS

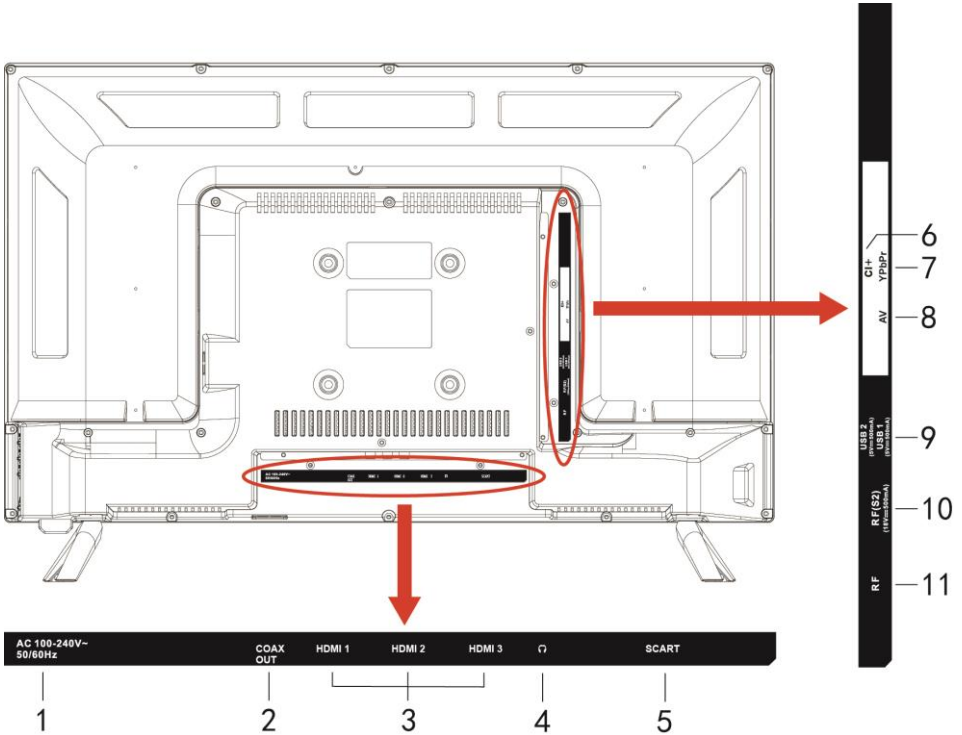
## MAIN UNIT



1. LED display screen
2. Remote control sensor / Power indicator- In standby mode the indicator light will display red color; when switching on the unit the indicator light will display blue color.
3. Stand holder
4. VOL +/- button- To increase/decrease the volume level or move left/right.
5. CH +/- button- To select next/previous channel or move up/down.
6. MENU button- To enter menu setting page.
7. SOURCE button- To select the input source.
8. POWER button- To turn ON/OFF the TV.

# GENERAL PARTS

## Back View



1. Power input.
2. COAXIAL output terminal.
3. HDMI 1/2/3 input terminal.
4. EARPHONE output terminal
5. SCART input terminal.
6. CI+ input terminal
7. Mini YPbPr input terminal.
8. Mini AV input terminal.
9. USB 1/2 input terminal
10. RF input terminal- To connect the external Satellite TV Antenna (DVB-S2).
11. RF input terminal- To connect the external TV antenna (DVB-T/DVB-T2/DVB-C).



## REMOTE CONTROL

**STANDBY:** Turn the TV ON/OFF.

**TV/RAD:** Switch to TV or Radio channel.

**FAV:** Display the favorite channels list.

**TEXT:** Display the available Teletext.

**HOLD:** Hold the Teletext.

**EPG:** Display electronic program guide.

**SUBTITLE:** Select available subtitles.

**SIZE:** Switch Teletext size.

**ASPECT:** Press it repeatedly to select desired screen size.

**SUBPAGE:** Enter Teletext sub-page.

**MEDIA:** Enter Media (USB) mode directly.

▶||: Start/pause playing.

◀◀: Move fast backward.

▶▶: Move fast forward.

●: Start recording when watching available  
Digital programs(function not available)

■: Stop playing.

◀◀◀: Play the previous file.

▶▶▶: Play the next file.

**MENU:** Call out the main menu or return to previous menu.

**AUDIO:** Select available soundtrack or language.

**OK:** Confirm selection.

▲/▼/◀/▶: Navigation buttons.

**SLEEP:** Set desired sleep time.

**EXIT:** Exit the menu page.

**VOL+/-:** Increase/decrease the volume level.

**CH+/-:** Play the next/previous program.

**MUTE:** Mute the sound.

**DISPLAY:** Display the available program information.

**0-9:** Number selection key.

**-/--:** Switch the digit when watching TV programs.

↺: Return to previous channel.

**SOURCE:** Select desired input source.

**P-MODE:** Switch the picture mode.

**S-MODE:** Switch the sound mode.



**Note:** The marks and positions of remote control may vary depending on the model.

## REMOTE CONTROL PREPARATION

### BATTERY INSTALLATION

Install the batteries as the following pictures. Be sure + and – terminals are positioned as indicated in the battery compartment (Fig1).

### SERVICE LIFE OF BATTERIES

- The batteries normally last for one year although this depends on how often the remote control is used.
- If the remote control fails to work even when it is operated near the player, replace the batteries.
- Use two size AAA dry batteries.

#### **NOTE:**

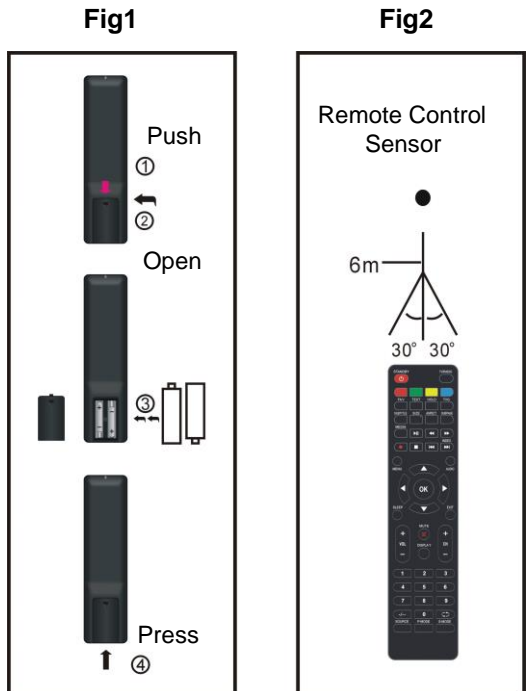
- Do not drop, step on or otherwise impact the remote control. This may damage the parts or lead to malfunction.
- If the remote control is not going to be used for a long time, remove the batteries.

## REMOTE CONTROL OPERATION

Point the remote control from no more than about 6m from the remote control sensor and within about 60° of the front of the player (Fig2).

#### **NOTES:**

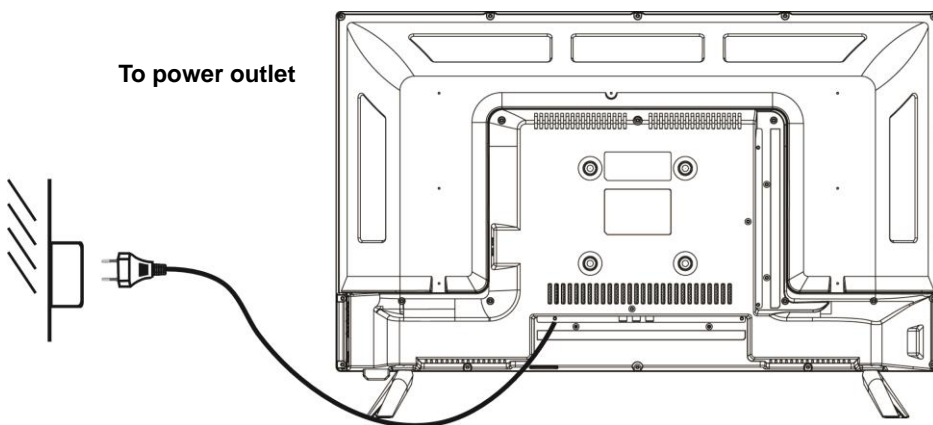
- The operating distance may vary according to the brightness of the room.
- Do not point bright light at remote control sensor.
- Do not place objects between the remote control and the remote control sensor.
- Do not use this remote control while simultaneously operating the remote control of any other equipments.



## BASIC CONNECTION

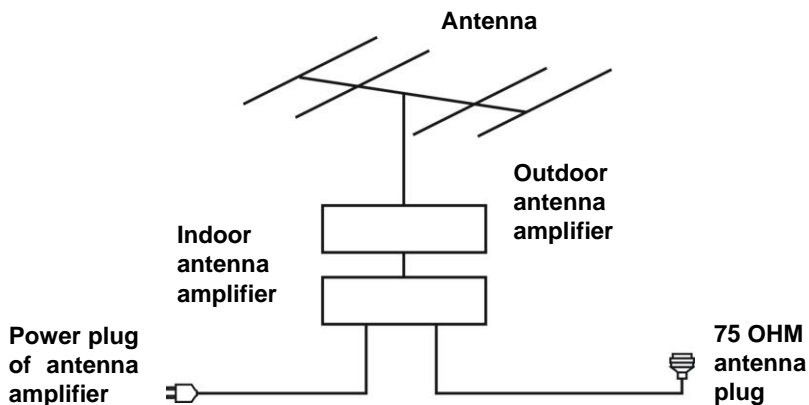
- Ensure all the cables are disconnected from the main unit before connecting to AC power source.
- Read through the instructions before connecting other equipments.

### CONNECTING TO AC POWER SOURCE

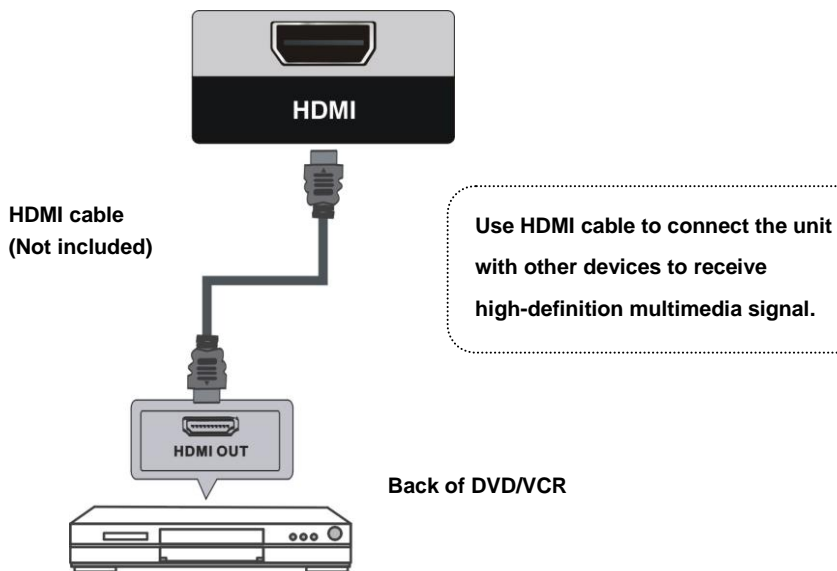


### CONNECT EXTERNAL ANTENNA TO UNIT

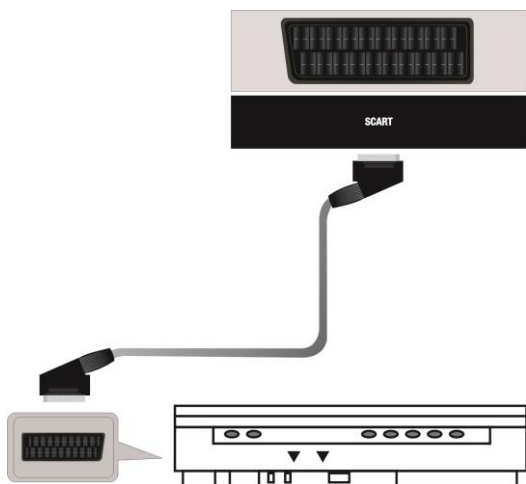
Install external antenna into antenna jack for best picture.



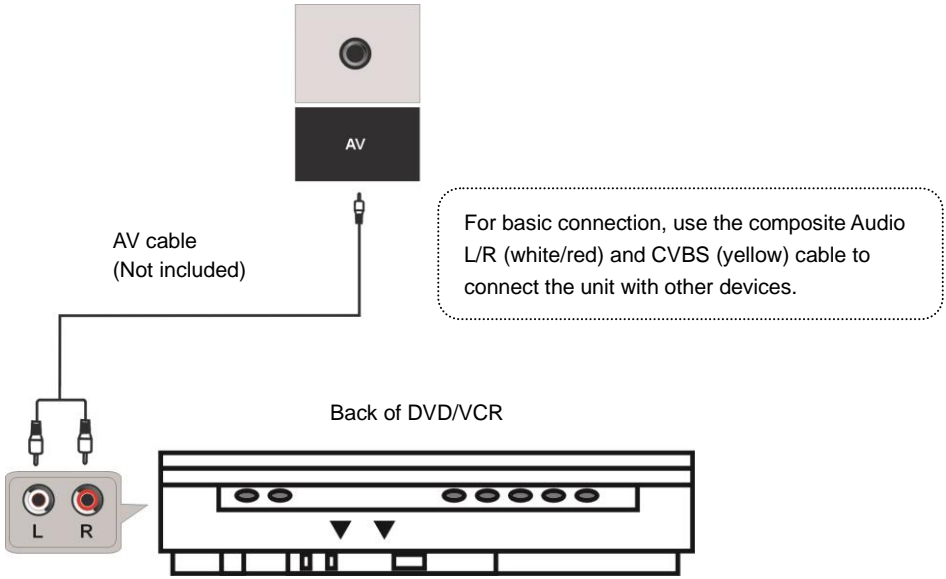
## HDMI CONNECTION



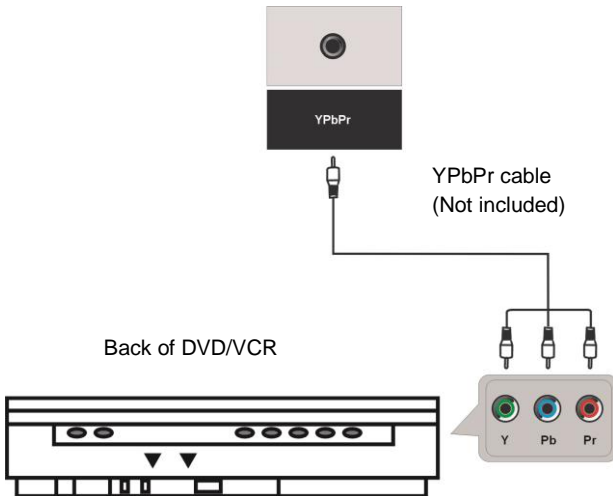
## SCART CONNECTION



## AV (COMPOSITE VIDEO) CONNECTION



## YPBPR CONNECTION

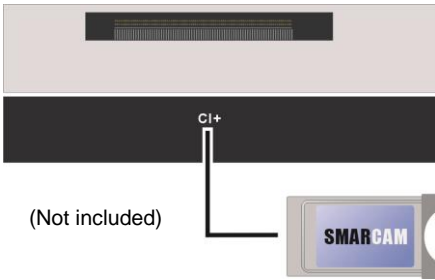


## **USB CONNECTION**



USB Memory Device  
(Not included)

## **INSERT A CI CARD**



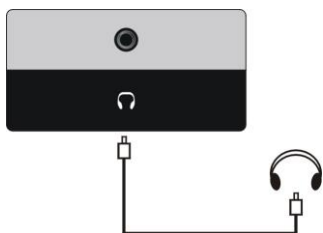
Insert your CI card (Conditional Access Module) to watch special digital channels in your area.

## **COAXIAL CONNECTION**



Use coaxial cable (not included) to connect the unit with amplifier or other audio decoding devices for coaxial audio signal output.

## EARPHONE CONNECTION



Earphone cable  
(Not included)

**MAKE SURE ALL THE EQUIPMENTS AND POWER PLUG ARE CONNECTED PROPERLY AND THE UNIT IS SET IN CORRECT MODE BEFORE KINDS OF OPERATIONS.**

## **BASIC OPERATIONS**

*- Press **STANDBY** button on the remote control to power **ON** the unit (indicator will glow blue); press it again to power **OFF** (standby mode) the unit (indicator will glow red).*

*- Press **SOURCE** button on the remote control to set the unit in **DTV** or **ATV** mode.*

### **SELECT DESIRED PROGRAM**

1. Press **CH+** button to play next channel.
2. Press **CH-** button to play previous channel.
3. Press number buttons on remote control directly to select desired program.

**NOTE:** Press **-/--** button repeatedly to switch the digit.

### **VOLUME CONTROL**

- Press **VOL+** or **VOL-** to adjust the level of current volume.

Available range: 0-100.

### **MUTE CONTROL**

- Press **MUTE** button to mute the sound, press it again to turn on the sound.

### **SOURCE SETTING**

- Press **SOURCE** button on the remote control to display the sources list.

- Press **UP** or **DOWN** navigation button to select desired input source, and then press **OK** button to confirm selection.

### **VIDEO SIZE SETTING**

- Press the **ASPECT** button on the remote control repeatedly to select the **VIDEO SIZE** directly.

Available options: Auto, 4:3, 16:9, Zoom1, Zoom2.

**NOTE:** The available video size may be different for different input sources.

### **MULTIAUDIO SETTING**

- Press the **AUDIO** button on the remote control repeatedly to select the desired audio language.

**NOTE:** To enable this function, make sure that the channel you are viewing supports multi-audio languages.



## INFORMATION DISPLAY

- Press the DISPLAY button on the remote control to display information of current programs.

## TV GUIDE (FOR DTV MODE ONLY)

- Press the TVG button on the remote control to display the programme guide.

7 Day TV GUIDE	
15:50 - 16:30 17 Feb 2010	
Présenté par Allan Van Darc, Caroline Ithurbide.	
17 Feb 2010 15:58:28	17 Feb 2010
1 Direct 8	15:50-16:30 24h people Now
2 BFM TV	16:30-17:25 Drôles de dames Next
3 i>TELE	
4 Virgin 17	
5 Gulli	
6 France 4	

Navigation buttons: Move View, Prev Day, Next Day, Display Details, EXIT Exit

- Press the UP/DOWN navigation button to select a preferred program  
- Press the LEFT/RIGHT navigation button to switch between the left column and right column.

- Press YELLOW button on remote control to display program guide of previous day.  
- Press BLUE button on remote control to display program guide of next day.

## FAVORITE LIST

When viewing an available channel, press FAV button on remote control to enter Favorite List menu page.



- Press UP or DOWN navigation button to select preferred channel.
- Press OK button to confirm selection.

## QUICK SELECT

- Press OK button on remote control to enter Channel List page directly.



- Press UP or DOWN navigation button to select desired channel and press OK button to watch it.
- Press OK button to confirm selection.

## TELETEXT

- Press TEXT button on remote control to display the available teletext information and press it repeatedly to stop playing the teletext.

## TV/RADIO (FOR DTV MODE ONLY)

- Press TV/RADIO button on remote control to switch the unit between TV and radio mode.

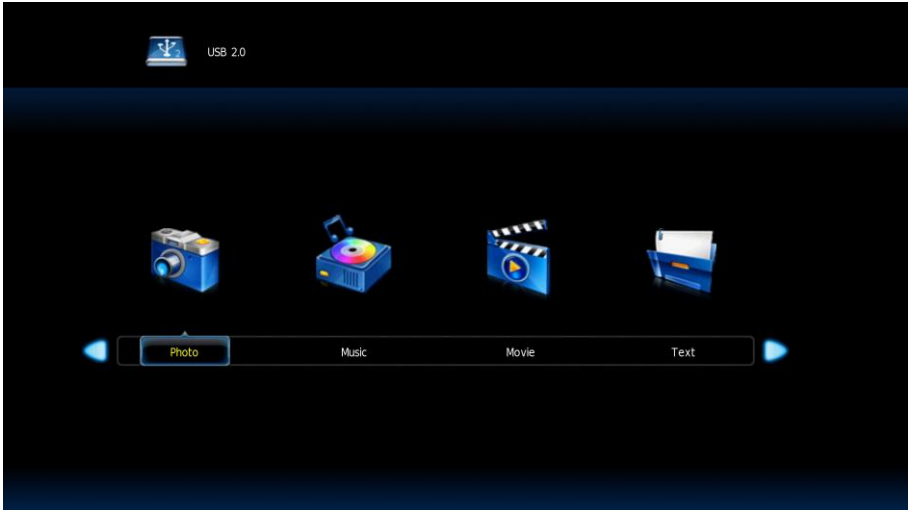
## SUBTITLE

- Press SUBTITLE button on remote control repeatedly to select desired subtitle.

**NOTE:** To enable this function, make sure that the channel you are viewing supports multi-subtitle.

## MEDIA PLAYBACK

- Insert a USB memory device into USB slot.
- Press SOURCE button on the remote control to switch this unit to Media mode.
- Press EXIT button on remote control to return to previous menu page.



### 1. PHOTO

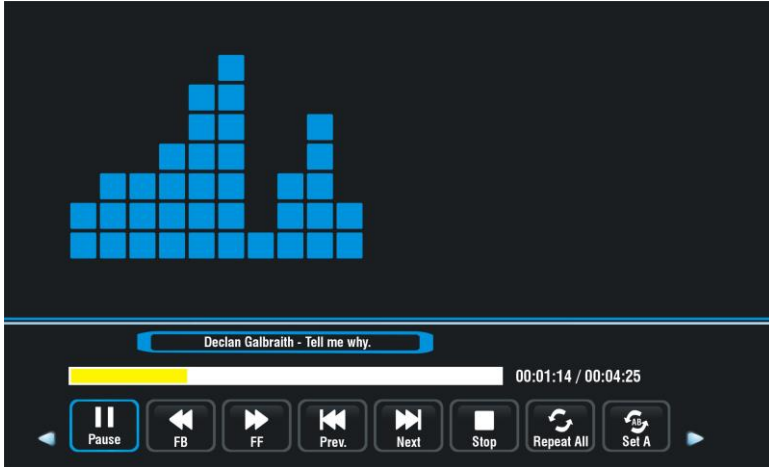
- Press the LEFT/RIGHT navigation button to select "Photo" in the main menu and press the OK button to enter it.
- Use the navigation buttons to select a file and press the OK button to add it to the Playlist.
- Press the ►|| button to start playback.
- Press the DISPLAY button to call out the tool bar below. Use the navigation buttons to select a desired option and press OK to confirm it.



- Press the EXIT button to dismiss the tool bar.

## 2. MUSIC

- Press the LEFT/RIGHT navigation button to select “Music” in the main menu and press the OK button to enter it.
- Use the navigation buttons to select a file and press the OK button to add it to the Playlist.
- Press the ►|| button to start playback.
- Press the DISPLAY button to call out the tool bar below. Use the navigation buttons to select a desired option and press OK to confirm it.



- Press the EXIT button to dismiss the tool bar.

## 3. MOVIE

- Press the LEFT/RIGHT navigation button to select “Movie” in the main menu and press the OK button to enter the selection.
- Use the navigation buttons to select a file and press the OK button to add it to the Playlist.
- Press the ►|| button to start playback.
- Press the DISPLAY button to call out the tool bar below. Use the navigation buttons to select a desired option and press OK to confirm it.



- Press the EXIT button to return.

#### 4. TEXT

- Press the LEFT/RIGHT navigation button to select "Text" in the main menu and press the OK button to enter the selection.
- Use the navigation buttons to select a file and press the OK button to add it to the Playlist.
- Press the ►|| button to start playback.
- Press the DISPLAY button to call out the tool bar below. Use the navigation buttons to select a desired option and press OK to confirm it.



- Press the EXIT button to return.

#### ***Remote control operations when playing multimedia files:***

- Press the ►|| button on the remote control to play or pause playing.
- Press the ■ button on the remote control to stop playing.
- Press the ◀◀ button on the remote control to move fast backward.
- Press the ▶▶ button on the remote control to move fast forward.
- Press the ◀◀| button on the remote control to play the previous file.
- Press the ▶▶| button on the remote control to play the next file.

***NOTE:*** To play your multimedia files, make sure you have selected the correct icon in the main menu of MEDIA PLAYBACK. That is to say, you can only play Photo files in PHOTO mode, Music files in MUSIC mode, and so on.

# MAIN MENU

- The unit contains different setting menus. Once the initial programming is entered, it will be remained in the memory until change, and the unit can always be operated under the same conditions.
- The settings will be remained in the memory until the settings are changed ever after setting the player to standby mode.

## **Common procedure for initial settings**

- Press MENU button on the remote control to display the main menu.
- Press LEFT or RIGHT navigation button to select different menus.
- Press UP or DOWN navigation button to select the item that want to adjust.
- Press OK button to enter adjusting menu page.
- Press MENU button to save current setting and return to previous menu page.
- Press EXIT button to exit menu page.

## **First Time Installation**

If first time using, below menu page will appear on the screen after turning on this TV:

**Language:** Select the on-screen menu language.

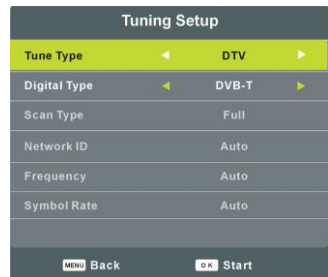
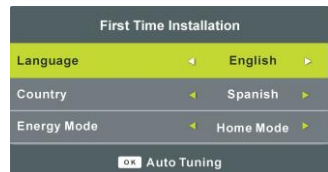
**Country:** Select your country. If you do not find your country listed, select 'Other'

**Energy Mode:** Select Home or Store mode.

### **Tuning Setup**

- After completing the above selections, press the OK button to display Tuning Setup menu.
- Select the preferred Tuning Option using the navigation buttons and press the OK button to start auto tuning.

**Note:** Scan Type and following tuning options are adjustable only when "Digital Type" is DVB-C.



# DTV MODE

- Press SOURCE button on remote control to select DTV input source.

## 1. CHANNEL

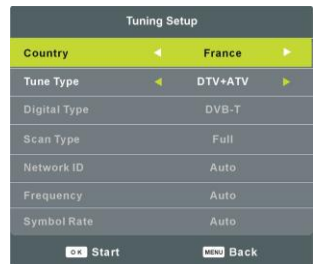


### 1.1 Auto Tuning

- Press UP or DOWN navigation button to select this item, and then press OK button to enter it.

- Select preferred Tune Type using navigation buttons and press OK button to start auto tuning.

**Note:** Scan Type and some other tuning options are adjustable only when “Digital Type” is DVB-C.



### 1.2 ATV Manual Tuning

- Press UP or DOWN navigation button to select this item, and press OK button to enter it.

- Press UP or DOWN navigation button to select the second option.

- Press LEFT or RIGHT navigation button to adjust it.



### 1.3 DTV Manual Tuning

- Press UP or DOWN navigation button to select this item, and press OK button to enter it.

- Press LEFT or RIGHT navigation button to select channel, then press OK button to start searching.

**Note:** Menu and operations mentioned here will vary for DVB-T and DVB-C.



## 1.4 Program Edit

- Press UP or DOWN navigation button to select this item, and press OK button to enter it.

- Press RED button to delete current channel.
- Press YELLOW button to move current channel.
- Press BLUE button to skip current channel.
- Press FAV button to add highlighted channel to Favorite List and press FAV again to remove it.



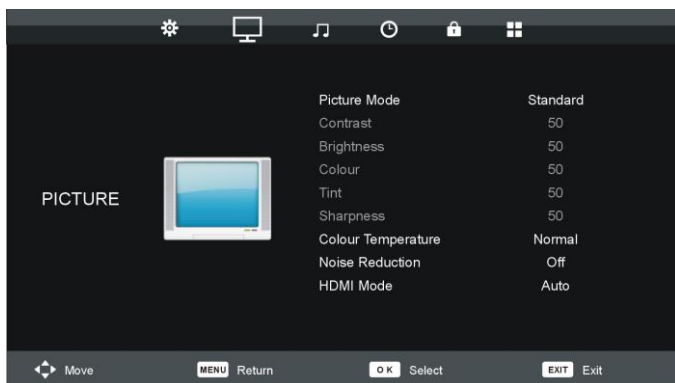
## 1.5 Signal Information

- Press UP or DOWN navigation button to select this item, and press OK button to display signal details, including Channel Number, Frequency, Quality and Strength.

## 1.6 CI information

When an available CAM (Conditional Access Module) card is connected to the CI slot, the users can view related information or manage your CAM card.

## 2. PICTURE



### 2.1 Picture Mode

Available options: User, Dynamic, Standard, Mild.

**NOTE:** The value of Contrast, Brightness, Colour, Tint and Sharpness is adjustable only when Picture Mode is “User”.

### 2.2 Contrast

The value of contrast can be adjusted from 0-100.



## 2.3 Brightness

The value of brightness can be adjusted from 0-100.

## 2.4 Colour

The value of colour saturation can be adjusted from 0-100.

## 2.5 Tint

The value of tint can be adjusted from 0-100.

**NOTE:** This item is available only in NTSC system.

## 2.6 Sharpness

The value of sharpness can be adjusted from 0-100.

## 2.7 Colour Temperature

This item is used to adjust the optimum colour temperature for suitable viewing.

Available options: Normal, Cool, Warm.

## 2.8 Noise Reduction

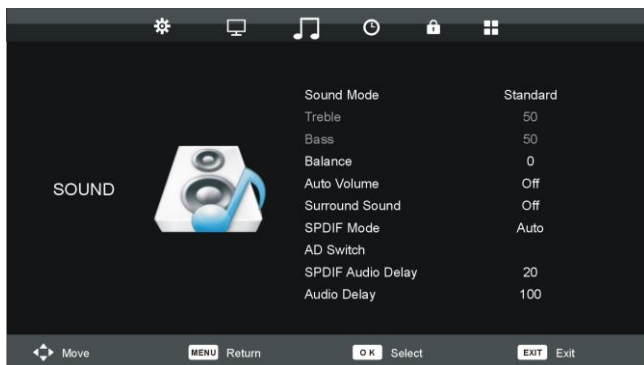
Available options: Off, Low, Middle, High, Default.

## 2.9 HDMI Mode

Select HDMI mode to fit external Device that connected.

Available options: Auto, Video, PC.

## 3. SOUND



### 3.1 Sound Mode

Available options: Standard, Music, Movie, Sports, User.

**NOTE:** The value of Treble and Bass is adjustable only when Sound Mode is "User".

### **3.2 Treble**

This item is used to adjust the level of higher-pitched sounds from 0-100.

### **3.3 Bass**

This item is used to adjust the level of lower-pitched sounds from 0-100.

### **3.4 Balance**

This item is used to adjust the audio output between left and right speakers from -50 to 50.

### **3.5 Auto Volume**

This item is used to set Auto Volume ON or OFF.

### **3.6 Surround Sound**

This item is used to turn on/off Surround Sound.

### **3.7 SPDIF Mode**

This item is used to select SPDIF mode.

Available options: Auto, PCM, Off.

### **3.8 AD Switch**

This item is used to set AD Switch ON or OFF. For Visually Impaired users, this function can help to know a certain scene or action through the narration, instead of see it.

**NOTE:** AD Switch function works only when you are viewing programs that contain related narration information.

### **3.9 SPDIF Audio Delay**

Adjust this item if you found the SPDIF sound is not totally simultaneous with TV picture.

### **3.10 Audio Delay**

Adjust this item if you found the sound is not totally simultaneous with TV picture.

## 4. TIME



### 4.1 Clock

When an available digital program saved successfully, TV will get the time information automatically and it's not user adjustable.

### 4.2 Time Zone

This item is used to select desired time zone.

### 4.3 Off Time

- Press LEFT/RIGHT navigation button to select an available option.
- Press navigation buttons to adjust the Hour / Minute when "Off Time" is not "Off".

### 4.4 On Time

- Press LEFT/RIGHT navigation button to select an available option.
- Press navigation buttons to adjust the Hour / Minute / Source / Channel / Volume when "On Time" is not "Off".

### 4.5 Sleep Timer

This item is used to set the automatic sleep time in standby mode.  
Available options: Off, 10/20/30/60/90/120/180/240 minutes.

### 4.6 Auto Standby

This item is used to set the auto standby duration.  
Available options: Off, 3H, 4H, 5H.

### 4.7 OSD Timer

This item is used to set the OSD (on screen display) time.  
Available options: 5S, 15S, 30S.

## 5. LOCK



### NOTES:

- To set Lock System and 5.2 ~ 5.6 items, you need to enter the password first and the factory default password is "0000".

**NOTE:** If you forget the password, please use the universal password "8899".

- To enable below lock functions, turn on Lock System.

### 5.1 Lock System

This item is used to turn on/off Lock System.

### 5.2 Set Password

This item is used to change the password.

### 5.3 Block Program

When highlighted, press OK to enter and press GREEN button to lock a program.

### 5.4 Parental Guidance

Available options: Off, 4-18.

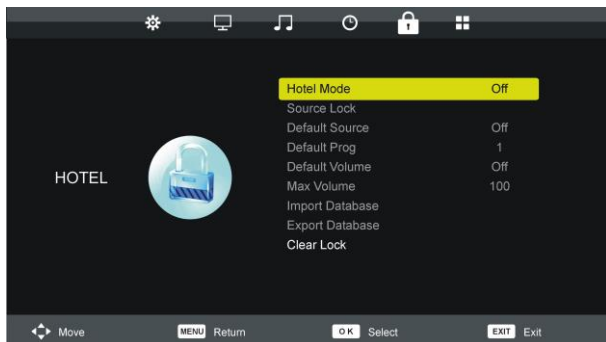
### 5.5 Key Lock

This item is used to lock the key board.

Available options: On, Off

## 5.6 Hotel Mode

- When highlighted, press OK to enter:



- Press UP/DOWN navigation button to move the cursor.
- Press LEFT/RIGHT navigation button to adjust the value.
- Press OK or RIGHT navigation button to enter submenu.
- Press MENU button to return to previous page.

**Warm Tip:** We strongly advise that you use “Hotel Mode” in hotels and you should just ignore it if take this TV for home use only.

**Hotel Mode:** Turn on/off Hotel lock.

**Source Lock:** Turn on/off the lock of all available sources.

**Default Source:** Select the default source.

**Default Prog:** Select the default channel.

**Default Volume:** Set the default volume.

**Max Volume:** Set the maximum volume.

**Import Database:** Import database from other devices.

**Export Database:** Export database to other devices.

**Clear Lock:** Clear above settings.

## 6. OPTION



### 6.1 Language

This item is used to select desired On Screen Display language.

### 6.2 TT Language

This item is used to select desired TT language.

### 6.3 Audio Language

This item is used to select an available audio language.

### 6.4 Subtitle Language

This item is used to select an available subtitle language.

### 6.5 Hearing Impaired

This item is used to set Hearing Impaired function ON or OFF. For Hearing Impaired users, this function can assist them know a certain scene or action through the caption, instead of hearing it.

**NOTE:** Hearing Impaired function works only when you are viewing programs that contain related caption information.

### 6.6 Aspect Ratio

Available options: Auto, 4:3, 16:9, Zoom1, Zoom2.

**NOTE:** Aspect Ratio may not be adjustable if no available signals.

### 6.7 Blue Screen

This item is used to set the blue background ON or OFF. The screen background will turn blue at very weak or no signal condition, if BLUE SCREEN is ON.

## 6.8 First Time Installation

This item is used to display First Time Installation.

## 6.9 Reset

This item is used to reset the unit to factory default settings.

## 6.10 Software Update (USB)

This item is used to update software through inserting USB device.

## 6.11 HDMI CEC

- Press UP/DOWN navigation button to highlight it and press OK button to enter.
- Make sure the HDMI device (Amplifier, etc.) is connected correctly.
- Press SOURCE button on remote control to select HDMI input source.

**CEC Control:** turn on/off CEC Control.

**Audio Receiver (ARC):** if this function is enabled, the users can use external amplifier or audio decoding device which featured with ARC.

**Note:** "ARC" function in "HDMI 3" port only.

**Device Auto Power Off:** if this function is enabled, external connected CEC device will power off automatically when turn off this TV.

**TV Auto Power On:** if this function is enabled, this TV will power on automatically when turn on external connected CEC device.

**Device List:** list devices that connected.

**Device Menu:** call out the menu of connected device.

## 6.12 Energy Mode

This item is used to select Home or Store mode.

## ATV AND OTHER MODES

- Press SOURCE button on the remote control to select desired input source.
- For other menus, please refer to the operations of DTV mode.

# SATELLITE MODE

## Tips:

- **Connect your Satellite antenna to the LBN terminal first to receive satellite signals.**
- **Press SOURCE button on remote control to select “Satellite”.**

## 1. Auto Tuning

- Press MENU button to call out the main menu.
- Highlight “Channel” using navigation buttons and press OK to enter it.
- Then highlight “Auto Tuning” and press OK to enter it.

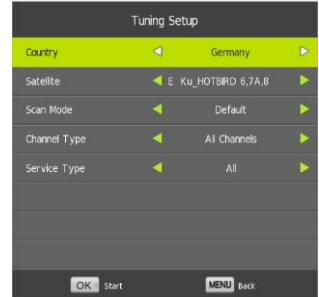
**Country:** select your country.

**Satellite:** select an available satellite.

**Scan Mode:** select your scan mode.

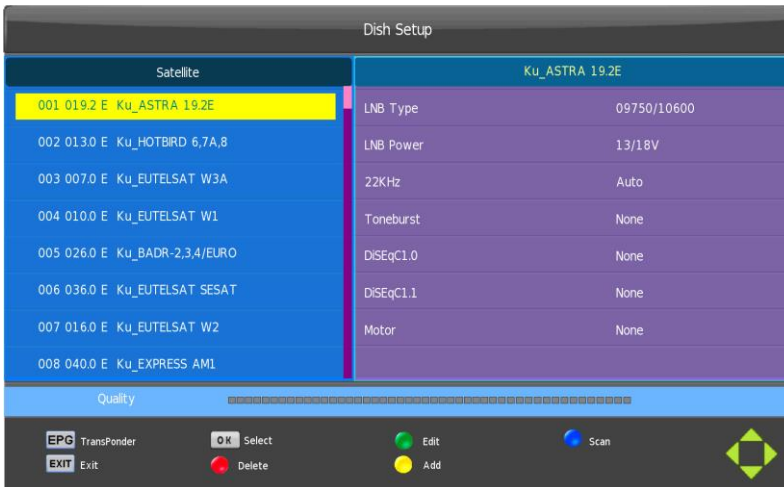
**Channel Type:** select a channel type.

**Service Type:** select a service type.



## 2. Dish Setup

- Press MENU button to call out the main menu.
- Highlight “Channel” using navigation buttons and press OK to enter it.
- Then highlight “Dish Setup” and press OK to enter it.
- Press LEFT/RIGHT navigation button to highlight Left, Middle or Right column.
- Use the options on screen to modify the settings.
- Press EXIT button to return.





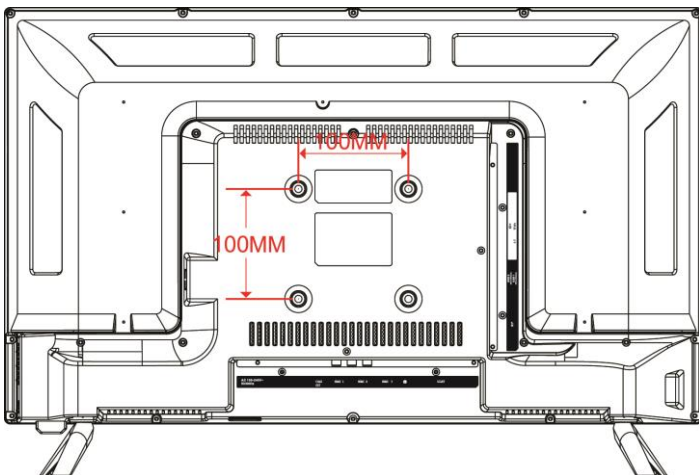
## MAINTENANCE

- Be sure to press STANDBY button to set the player to the standby mode and disconnect the power plug before maintaining the player.
- If the surface is extremely dirty, wipe clean with a cloth which has been dipped in a weak soap-water solution and wrung out thoroughly, and then wipe again with a dry cloth.
- Never use alcohol, benzene, thinner, cleaning fluid or other chemicals. And do not use compressed air to remove dust.
- Wipe the player with a dry, soft cloth IN CASE there are scratches on the display panel the warranty is void.

## WALL MOUNTING

- Contact a professional for assistance when wall mounting your TV. We are not responsible for any damage to the product or injury to yourself, if you mount the TV on your own.
- Do not wall mount the TV while TV is turned on. It may cause personal injury due to electric shock.
- Use standard M6\*10mm screws (4 pieces, not included) to mount this TV.

Back of your TV



## STAND INSTALLATION

Your TV may be packaged with the Stand and the Cabinet separated. Before enjoying this TV, please carry out the Stand Installation according to the instructions below.

### Step 1

Place the TV faced down on a soft cloth or cushion to prevent the panel from being damaged.

### Step 2

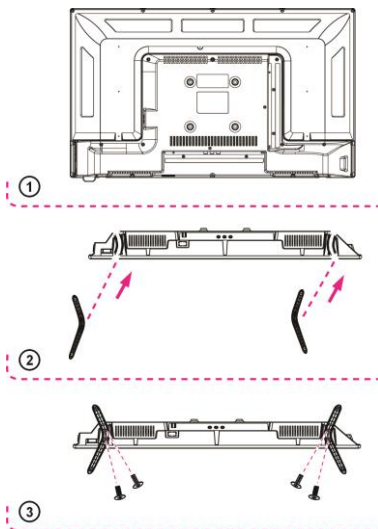
Align the Stand with TV bottom and then force the end of stand until the TV is fully seated on the stand.

### Step 3

Tighten the included screws with a screw driver.

### NOTES:

- Unplug the power plug first when installing or removing the TV Stand.
- To avoid any damage to this TV, contact one or more partner for assistance when installing or removing the TV stand.



## SPECIFICATIONS

<b>Display Device</b>	27" LED TV
<b>Resolution</b>	3840×2160
<b>Display Colors</b>	16.7M
<b>Contrast Ratio</b>	1000:1
<b>Aspect Ratio</b>	16:9
<b>Life Time</b>	30,000 Hrs
<b>USB Multimedia Playback Format</b>	<b>Movie:</b> AVI, MPEG 1/2
	<b>Music:</b> MP3

	<b>Photo:</b> JPG/JPEG
<b>Power Source</b>	AC 100-240V, 50/60Hz
<b>Power Consumption</b>	Max.60W
<b>Operation Temperature</b>	-5°C to 45°C
<b>Measurement</b>	634 (W)×207(D)×427(H)mm
<b>Weight</b>	Approx. 2.8 Kg

### Tuner:

Analogue tuner PAL (BG/DK/I); SECAM (BG/DK/L)  
 DVBT/T2 and DVB-C UHD tuner  
 DVB-S/S2 UHD tuner  
 Automatic channel search  
 LCN function (logical channel numbering)  
 EPG (electronic program guide)

### USB FUNCTION

#### Inputs / Outputs

CAM (conditional Access Module) not supplied  
 Input: HDMI x3, AV, Component Y/Pb/Pr, SCART  
 Antenna 75 ohms input (DTV/ATV)  
 Satellite antenna LBN input (DVB-S2)  
 Headphones/earphones jack 3,5mm  
 Support bases included

#### Video Input

CVBS	Color System: PAL/NTSC/SECAM Video Level: 1Vp-p@75ohm
YPbPr	480i,480p,576i,576p,720p,1080i,1080p
HDMI	480i,480p,576i,576p,720p,1080i,1080p, 2160p
SCART	CVBS and RGB

#### AC 100/240V~ 50/60Hz

Operation temperature -5° to 45°  
 Unit dimensions: 634 (W)×87(D)×379(H)mm  
 Dimensions with stand: 634 (W)×200(D)×420(H)mm  
 Weight with stand: Approx. 2.8 kg

**Specifications are subject to change without notice.**

## GENERAL TROUBLESHOOTING

Check the following points before assuming malfunctions of this unit:

Symptom	Remedy
No power.	Insert the power plug securely into the power outlet.
No picture.	Ensure that the equipment is connected properly.
<ul style="list-style-type: none"><li>● No sound.</li><li>● Distorted sound.</li></ul>	<ul style="list-style-type: none"><li>● Ensure that the equipment is connected properly.</li><li>● Ensure that the input setting for the TV and stereo system are correct.</li><li>● Adjust the master volume to a suitable volume by pressing VOL+/VOL- button.</li></ul>

<p>No operations can be performed with the remote control unit.</p>	<ul style="list-style-type: none"> <li>● Check the batteries are installed with the correct polarities.</li> <li>● The batteries are exhausted: Replace them with new ones.</li> <li>● Point remote control at the remote control sensor and operate it again.</li> <li>● Operate the remote control unit at a distance of no more than 6m from the remote control sensor.</li> <li>● Remove the obstacles between the remote control and remote control sensor.</li> </ul>
<p>No key operation (by the main unit and/or the remote control unit) is effective.</p>	<p>Disconnect the power plug and then reconnect it. (The player may not be operating properly due to lightning, static electricity or some other factors.)</p>
<p><b>Symptom(TV)</b></p>	<p><b>Remedy</b></p>
<p>No or poor picture.</p>	<ul style="list-style-type: none"> <li>● Adjust antenna or use an external antenna.</li> <li>● Relocate the unit near a window (if inside a building).</li> <li>● Move units away from this product that causes interference.</li> <li>● Do Auto Tuning again.</li> <li>● Try another channel.</li> </ul>
<p>No sound or poor sound.</p>	<ul style="list-style-type: none"> <li>● Check the audio settings.</li> <li>● Press MUTE button on remote control to cancel mute function.</li> <li>● Unplug the headphone.</li> </ul>
<p>Noise or other interface.</p>	<p>Electronic equipment near the unit is causing interface. Relocate the unit or move the equipment.</p>

## INFORMATION TO USERS OF DOMESTIC EQUIPMENT



***Pursuant to Art. 25, Paragraph 1 of the Legislative Act N. 49 14th March 2014, "Implement of the Directives 2011/65 / EU and 2012/19 / EU concerning the reduction of the use of hazardous substances in electrical and electronic equipment, as well as waste disposal".***

The crossed bin symbol on the appliance or on its packaging indicates that the product at the end of its useful life must be collected separately from other waste. The user must, therefore, dispose the equipment at the end of its life to the appropriate electronic and electro technical waste centers, or return it to the retailer at the time of purchase of a new type of equivalent equipment, one by one.

Appropriate separate disposal for the subsequent start-up of the disused equipment for recycling, treatment and compatible environmental disposal helps to avoid possible negative effects on the environment and health and favours the re-use and / or recycling of the materials it is composed the equipment.

The illegal disposal of the product by the user involves the application of the penalties referred to in current laws.

Any rechargeable batteries or rechargeable batteries contained in the device must be disposed separately in the appropriate expired batteries bins.

### **Battery disposal**



Disposal of expired batteries must take place at the appropriate recycling centers or according to local authority. Batteries in compliance with the 2013/56 / EC directive.

# MAJESTIC

TV27" TFT LED

MOD. TVD 227 S2 UHD

ALIMENTAZIONE: AC 100-240V~50/60Hz 60W

CONSUMO IN STANDBY: MAX. 0.5W

USB: 5V = 500mA

NEW MAJESTIC S.p.A.

Via Rossi Martini, 41

26013 CREMA (CR)

ITALY

ASSEMBLED IN EU



= Class II, double insulation



= WEEE Logo (Waste of electrical and electronic equipments)



NEW MAJESTIC S.p.A.

Via Rossi Martini, 41

26013 CREMA (CR)

ITALY

ASSEMBLED IN EU



= Battery disposal



ASSEMBLED IN EU

# MAJESTIC

NEW MAJESTIC S.P.A.

Via Rossi Martini 41

26013 CREMA (CR)