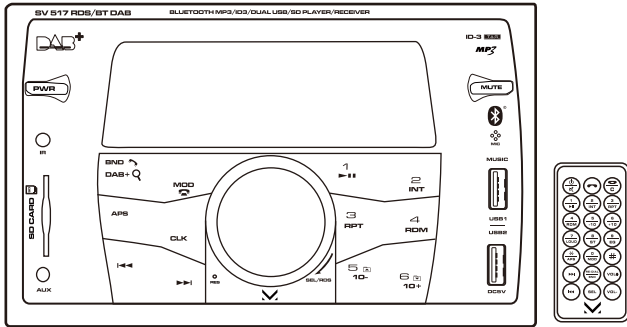


# MAJESTIC

## SV 517 RDS/BT DAB



Please read the instructions before used.  
Owner's Manual

New Majestic Spa  
Via Rossi Martini 41  
26013 Crema (CR)

Made in China

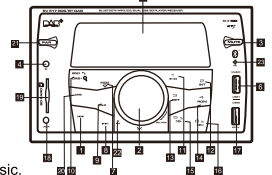
### PRECAUTIONS AND MAINTENANCE

1. If the car interior is extremely hot, as after being parked in the sun, do not use the player until the car has been driven for a while to cool off the interior.
2. The unit is designed for negative terminal of the battery which is not connected to the vehicle metal. Please confirm it before installation.
3. Do not allow the speaker wires to be shorted together when the unit is switched on. Otherwise it may overload or burn out the power amplifier.
4. Do not install the detachable panel before connecting the wire

**NOTE: the operating temperature of the car radio varies from + 5 ° to + 35 ° max. Damage caused by excessive heat is not covered by the warranty.**

### Key Functions:

- 1/8. Forward/backward button  
In MP3/WMA mode, press to play next/previous song; keep pressed to forward/backward in the song.  
In radio mode, press to skip to next/prev station, Keep pressed for auto/manual search  
In DAB mode, press to scroll between the saved stations.
2. SEL/RDS/Volume – knob on panel  
In Normal mode, use this knob to increase/decrease the volume level. To access various sound parameters, push SEL button to cycle through the following adjustable settings: VOLUME > BASS > TREBLE > BALANCE > FADER > LOUD > EQ > DX > STEREO > VOLUME CALLS IN BLUETOOTH MODE > BLUETOOTH ON/OFF  
Press and hold to activate RDS function: AF > TA > PTY
3. MUTE button - Press to switch the volume off, press again to return to original volume
4. Infrared Remote Control Reception
5. LCD Display
6. USB Slot for Music File - Plug in your USB Device to play the music.
7. Mod / button - Press to change between Radio FM – DAB – SD – USB – SD - AUX – BT Function. Once Bluetooth is activated; press to hang up the phone call.
9. CLK Button - Press to display and adjust time.
10. DAB+ Q button - In Radio mode, press to change among FM1-FM2-FM3.  
In MP3 mode, press to scan ID3 tag of the track, keep pressed and rotate volume knob to select a track. Once Bluetooth is activated; press to answer the phone call.  
In DAB mode long press to start automatic station scan. The radio will store the strongest stations, once completed the first station stored will be automatically broadcasted.
11. 1/ button - In MP3 mode, press to pause the playback, press again to resume playback.
12. 2/INT Button - In MP3 mode, press to listen to the first 10 seconds of each song.
13. 3/RPT Button - In MP3 mode, press to repeat the song/folder.
14. 4/RDM Button - In MP3 mode, press to play song randomly.

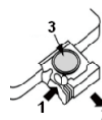
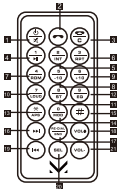


ENG 1

15. 5/-10 Button - In MP3 mode, press and hold this button for 3 seconds to select the folder. Press shortly to rewind backward 10 songs at one time.
16. 6/+10 Button - In MP3 mode, press and hold this button for 3 seconds to select the folder. Press shortly to fast forward 10 songs at one time.
17. USB Slot for charging devices - Charge your mobile phone by plugging in your USB Cable (0,5A max)
18. Aux In Function - Choose to connect and play any compatible external audio equipment.
19. SD Card Slot - Insert any SD Card device into this slot for MP3/WMA playback.
20. APS button - In FM radio mode, long press to start stations scan and store the strongest one on preset button 1-6. Each band can save up to 6 channels. Press this button to scan all the stored stations. In MP3 mode, press this button and rotate volume knob to select one track. Confirm pressing VOL
21. PWR button - Press to switch on the unit, press and hold to switch off the unit.
22. RES - Press RES in case the unit is locked, on display LCD some symbols of error appear and buttons do not work.
23. MIC - Microphone

### Remote Control Function

1. Power/MUT Button - Press to turn on. Press and hold to mute down the volume, press and hold again to resume the previous volume level. Keep pressed for about 2 seconds to turn off the device.
2. Phone Button - Once Bluetooth is activated, press to answer the phone call.
3. End Call Button - Once Bluetooth is activated, press to hang up the phone call. Press to cancel the number you just press when you make a call.
4. 1/ button - In MP3 mode, press to pause the playback. Press again to resume playback.
5. 2/INT Button - In MP3 mode, press to listen the first 10 seconds of each song.
6. 3/RPT Button - In MP3 mode, press to repeat the song.
7. 4/RDM Button - In MP3 mode, press to play songs randomly.
8. 5/-10 Button - In MP3 mode, press and hold this button for 3 seconds to select the folder. In MP3 mode, press shortly to rewind backward 10 songs at one time.
9. 6/+10 Button - In MP3 mode, press and hold this button for 3 seconds to select the folder. In MP3 mode, press shortly to fast forward 10 songs at one time.
10. 7/Loud Button - Press to activate the LOUD function, press to switch off.
11. 8/ST Button - During FM Radio mode, press to select between Stereo & Mono.
12. EQ Button - Equalization select function (POP/ROCK/CLASS/JAZZ)
13. #/APS Button - In Bluetooth mode, press to use the "\*" key. Press to scan the strongest stations automatically & store them into 1-6 memory knobs.
14. MOD Button - Press to change between FM/DAB/SD/USB/AUX/BT Function.
15. # Button - In Bluetooth mode, press to use the "#" key.
- 16/19. Forward/Backward Button  
In MP3/WMA mode, press <math>=></math> button forward or backward one song. Keep pressed to fast forward /backward in the song. In FM radio mode press to start frequency search auto/manual.  
In DAB mode, press to scroll between the saved stations.
17. Re-Dial/BND Button  
In Bluetooth mode, press to redial the phone number who you just called. In radio mode, press to switch the radio band – FM1-FM2-FM3.
- 18 & 21. Vol +/Vol- Button  
In Normal mode, press to increase/decrease the volume level.
20. Select Control  
Press this button to cycle through the following adjustable settings:  
VOLUME > BASS > TREBLE > BALANCE > FADER > LOUD > EQ > DX > STEREO



The remote control works with a CR2025 3V battery (included).  
To replace the battery, press the left side of the case(1) and pull from the slot to extract the battery holder (2).  
Replace the battery (3) making sure to insert it with the correct polarity as indicated on the battery case. Replace the battery case in the remote control.  
Note: If the remote control is not used for a long time remove the battery from the compartment.

ENG 2

ENG 3

#### Main Functions:

- With Dual USB Construction, support charging your mobile device at the same time listen to the playback.
  - A2DP Bluetooth, Connect your mobile phone to the unit to make phone call or play the music.
  - Support USB/SD Card Slot with Aux In
  - FM Radio with RDS
  - DAB/DAB+ radio: 174,928 – 239,200 MHz
  - Support audio file format: MP3/WMA
  - Support mobile charging with USB Slot
- This unit only supports FAT16 or FAT32 file system.  
Please do not format its file system when formatting the USB, SD/MMC card.

#### Basic Control:

##### 1. Power switch / Mute

- 1) Press any button to turn on the unit. Press PWR button to turn off the unit.
- 2) When the unit is on, press and hold MUTE button to mute the volume. Press again to recover to previous volume level.

##### 2. Mode Button

- 1) Plug in USB/SD/MMC card under radio mode, the unit will change to USB/SD/MMC card mode; This unit will change to Radio mode when USB/SD/MMC card is removed.
- 2) Press MOD button to change between the modes FM/DAB/USB/SD/AUX.

##### 3. Time display and setting

- 1) Time will be displayed after slightly press the CLK button. The LCD display will return back to its original display after 5 seconds.
- 2) Press and hold CLK button to set the time, time on the display will be blinking. Then slightly rotate the rotary knob or press VOL-/VOL+ on remote control to set the hour, to confirm the hour setting, press SEL then again rotate the rotary knob or press VOL-/VOL+ on remote control to set the minute. To confirm the time setting, simply by pressing SEL button.
- 3) in radio mode the clock will adjust the time automatically once the radio signal is received (CLOCKTIME), if the selected radio station cannot update the time please set it manually.

##### 4. Audio Mode Selector

- 1) Rotate volume knob to increase/decrease the volume level.
  - 2) Press volume knob selector, "VOL>BAS>TRE>BAL>FAD>LOUD>EQ>DX>ST" on the display, then rotate the volume knob selector to increase/decrease the volume, bass, treble, balance, fader, loud On/Off, EQ, DX/LOC, Stereo/Mono
  - 3) keep pressed volume knob to turn on RDS function
- Note: If EQ is on, Unit will not be able to control BASS & TREBLE Function. DX and ST are available only in FM mode.

#### Radio Function:

##### 1. Band Control

- 1) Press B/A button to select the band, repeatedly to cycle through 3 radio bands: FM1-FM2-FM3.

##### 2. Tuning Button

- 1) Press to auto tune the radio station. Press and hold the button again, manual tuning will be activated. In this mode you can choose the frequency manually. If No button is pressed for 3 seconds, it will resume to auto tuning automatically.
- 2) Station storing  
Search for the desired frequency, then press one of the preset buttons (1-6) for 2 seconds, the station will be stored on the chosen button.
- 3) Auto store and search  
By pressing APS button for about 2 seconds, the radio will scan the whole frequency, after that it will store 18 stations with the strongest signal in the preset buttons.

ENG 4

#### 3. RDS Function

Press and hold the SEL knob to activate RDS function.

##### AF>TA>PTY

Rotate the SEL knob to select the AF on/off, then press again to turn on/off TA; Then press Again to turn on/off PTY.

##### 1.AF function

The factory default is AF function on, press and hold the rotary knob and press AF shortly to turn it on/off. If the selected radio station is noisy, and if this function is on, it will auto search an alternative frequency.

If the searched channel does not contain RDS signal the AF icon will flash, when it contains RDS signal the AF icon will be on and it will appear the station name.

##### 2.TA Function

Press and hold SEL knob to turn TA Function on.

When TA is on, it will broadcast the traffic announcement. If the unit is in MP3/SD-MMC/AUX mode, it will temporary switch to radio mode. When the traffic announcement is off, the unit will turn back to previous mode.

##### 3.PTY Function

Press and rotate SEL knob to turn on PTY mode

PTY function is divided into PTY MUSIC, PTY SPEECH and PTY ON; when one of the PTY program is selected the radio will search for the related information and will stop on the program where the info is found.

Into PTY MUSIC, press the number 1-6 to choose between different programs

Press 1-POP, ROCK, Press 2-EASY, LIGHT, Press 3-CLASSIC, OTHER,

Press 4-JAZZ, COUNTRY, Press 5-NATIONAL, OLDIES, Press 6-FOLK,

Into PTY SPEECH, press the number 1-6 to choose between different programs

Press 1-NEWS, Press 2-SPORT, Press 3-CULTURE, Press 4-Weather, Press 5-SOCIAL, Press 6-TRAVEL

#### DAB function

##### DAB station scan

In DAB mode, press and hold BND button to start auto station search.

The radio will automatically store radio stations with the strongest signal. Once the scan is complete, the first saved station will be automatically broadcasted.

##### DAB station tuning

Press to scroll between the saved DAB stations

##### Saving radio stations

Select the desired radio station, press one of the preset keys (1-6) for about 2 seconds, the station will be stored in the chosen key.

##### DAB info display

Press repeatedly BND key to scroll between the following information (if available):

- Dynamic label segment (DLS)
- Signal strength
- Program type (PTY)
- Frequency
- Bitrate codec

#### USB Function:

- 1.This unit can read the MP3/WMA files which found in USB/SD card by plugging it into the slots.
- 2.When it is playing the tracks from USB, USB icon is found on the display.
- 3.When it is playing the tracks from SD/MMC card, SD/MMC icon is found on the display.
- 4.When the file type is MP3; then MP3 icon is found on the display.
- 5.When the file type is WMA, then WMA icon is found on the display.
6. Press fast forward to go to next track and press rewind backward to rewind to the previous track.
7. When MP3 is playing, press "1" number button to pause it and to resume it by pressing "1" again.

ENG 5

8. Press "2/INT" number button to listen to the first 10 seconds of each song. Press again to cancel.
9. Press "3/RPT" number button to start or cancel the repeat function.

The cycle is:

REPEAT ONE -> REPEAT DIR -> REPEAT ALL

10.Press "4/RDM" number button to play all the MP3 files randomly. Press again to cancel.

11.Press "5/10-" number button to play the previous 10 tracks.

Press and hold to rewind to the previous folder.

12. Press "6/10+" number button to play the next tracks.

Press and hold to forward to the next folder.

#### ID3 Tag

1.If The MP3/WMA file is available with ID3 TAG. The following information will be shown on LCD display automatically.

~ Song name with file type

~ Title

~ Artist

~ Directory

You may have a quick scan about the track information which you are playing by pressing BND button.

2.During MP3/WMA mode, you can activate the track search mode, with below methods:

For example, If you are now playing the first song and you want to swift to track 59, press APS button,

"TRK SCH" will be found on the LCD display, Then rotate the SEL knob to select "5" or press "5" on the unit or remote; so that the first digit "5" will be found on LCD Display, Then wait for 3 seconds, it will move to the second digit automatically; then again rotate the SEL knob or press number 9 knob on remote control; so that the second digit "9" will be found on the LCD Display.

To confirm your selection, press "SEL" button.

#### Bluetooth

1. Switch on our unit, and turn on the Bluetooth on your mobile device.
2. Your mobile device will automatically search the signal (CAR BT) which is from our unit
3. You confirm to pair with CAR BT on your mobile device, then your mobile device will be paired with our unit.
4. Once the pairing is done successfully, Bluetooth icon on LCD Display will lighten up, which means Bluetooth is paired.
5. Now you can enjoy Bluetooth function. You can Play Music / Make Calls / Receive Calls through your mobile phone.
6. If you get an incoming call while using Radio / USB / SD / Aux In, Bluetooth function will be activated automatically. Once the call is finished, the unit will switch back to original mode (Radio / USB / SD / Aux in)

#### To Receive a Call

1. When there is an incoming call, the incoming call's number will be shown on the LCD display. Then press BND to answer it; and to hang up press MOD.
  2. When this unit is switched off and an incoming call is received; this unit will be switched on automatically and Bluetooth function will be activated. After the call is finished, then this unit will automatically switch off.
  3. during the conversation, press BND key to transfer the call from the car radio to the phone and vice versa.
- To Make a Call

1. Press BND () from remote control, "DIAL" will appear on the display dial the number from the r

emote control, Press BND () from remote control, again to make a call, to hang up press

MOD () from remote control)

2. Press RE DIAL/BND on remote control the unit will call the last dialed number.

#### Other Function

##### 1. Music Player

In BT mode if you open music files from your mobile, then the music will be played from this unit. Not only you can access on the interest and listen to your music from this unit, but also you can forward backward the track by pressing the keys.

To turn off Bluetooth, just to switch off the Bluetooth function on the mobile; then this unit will be disconnected from your mobile immediately.

ENG 5

#### Installation

##### Assembly Instructions:

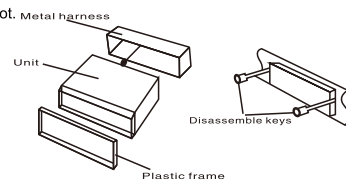
##### Installation

The unit has anti theft locked box design, please follow the below installation instruction:

1. Push the fixing bracket completely into the radio slot.
2. Insert the radio into the housing until it is properly fastened with the bracket.

##### Attention:

1. Install the car radio so as not to affect driving functions.
  2. Before completing the fixing of the car radio, make sure the wiring have been correctly installed, testing the functionality of the radio.
- Use only the accessories supplied with the car radio.



##### Removal:

Insert the removal lever provided on the sides of the radio, up to that you will not hear a "click". Once the correct position is reached, pull towards themselves the car radio to extract it.

#### DISASSEMBLY AND ASSEMBLY INSTRUCTIONS

##### Assembly Instructions:

Connect the unit harness with lock and push them together inside, insert the unit harness into instrument panel, And push the player into the metal harness until it is locked.

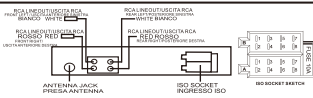
If the assemble angle is above 30, the unit may not work properly.

The installation place should not affect the Driver's normal operations or injure the Passengers when the car is braked suddenly.

##### Disassembly Instructions:

Take the plastic frame off, and insert the keys into the holes in the face panel, then pull the keys hard to take player out of the instrument panel.

ENG 6

**MAJESTIC****SV 517 RDS/BT DAB**CAUTION: +12V DC NEGATIVE GROUND  
ALIMENTAZIONE: +12V DC NEGATIVO A MASSAMAX OUTPUT POWER 180W  
POTENZA MAX 180WRECEIVING RANGE:  
GAMMA DI FREQUENZA:FM 87.5 - 108 MHz  
DAB BAND III FREQUENCY 174.928-239.200 MHz**ISO SPEAKER CONNECTION  
COLLEGAMENTI ISO****CONNECTOR A / CONNETTORE A**

- 1.
- 2.
- 3.
4. MEMORY +12V / MEMORIA +12V
5. AUTO ANTENNA B+ / USCITA AUTO ANTENNA B+
- 6.
7. POWER 12V / 12V (ALLA CHIAVE ACCENSIONE)
8. GROUND / MASSA

**CONNECTOR B / CONNETTORE B**

1. REAR RIGHT SPEAKER (+) / ALTOPARLANTE POSTERIORE DESTRO (+)
2. REAR LEFT SPEAKER (-) / ALTOPARLANTE POSTERIORE SINISTRO (-)
3. FRONT RIGHT SPEAKER (+) / ALTOPARLANTE ANTERIORE DESTRO (+)
4. FRONT LEFT SPEAKER (-) / ALTOPARLANTE ANTERIORE SINISTRO (-)
5. FRONT RIGHT SPEAKER (+) / ALTOPARLANTE ANTERIORE SINISTRO (+)
6. FRONT LEFT SPEAKER (-) / ALTOPARLANTE ANTERIORE SINISTRO (-)
7. REAR LEFT SPEAKER (+) / ALTOPARLANTE POSTERIORE SINISTRO (+)
8. REAR RIGHT SPEAKER (-) / ALTOPARLANTE POSTERIORE SINISTRO (-)

NEW MAJESTIC SPA  
VIA ROSSI MARTINI, 41  
28013 CREMA (CR)  
ITALY

MADE IN CHINA



= WEEE Logo (Waste electrical and electronic equipment) /



= Battery disposal



ENG 7

## Trouble Shooting

Symptom	Cause	Solution
No Power	Speaker cable is disconnected. Poor power connection.  The fuse is burnt out.	Check to see that all the power and speaker leads are securely connected.  Replace the fuse.
No Sound	Volume is set to the minimum.  Wiring is not proper.	Adjust volume to a desired level.  Check wiring connection.
The radio doesn't work, and the radio station automatic selections do not work.	The antenna cable is not connected, or the signal is too weak.	Select the station in manual mode. Insert the antenna cable firmly.
The player is on, but it doesn't play any track.	The file format is not MP3/WMA format.	Make sure the songs you store in the USB or SD card are MP3/WMA format.

## Specifications

Power – 12V DC

Maximum Current – 10A (MAX)

Installation Size (L\*W\*H) – 160 X 190 X 120mm

Weight 0.92 kg

Working Temperature -20C ~ +60C

## Audio

High Power Output – 4x45 Watts

Speaker impedance – 4 Ohms ~ 8 Ohms

## FM Tuning

Frequency Range – 87.5 – 108 MHz

Usable Sensitivity – 10dB (S/N 30 dB) ≥15 dB

DAB band III frequency 174.928-239.200 MHz

Bluetooth V2.1

ENG 8

## INFORMATION TO USERS OF DOMESTIC EQUIPMENT



Pursuant to Art. 25, Paragraph 1 of the Legislative Act N. 49 14th March 2014, "Implement of the Directives 2011/65 / EU and 2012/19 / EU concerning the reduction of the use of hazardous substances in electrical and electronic equipment, as well as waste disposal".

The crossed bin symbol on the appliance or on its packaging indicates that the product at the end of its useful life must be collected separately from other waste. The user must, therefore, dispose the equipment at the end of its life to the appropriate electronic and electro technical waste centers, or return it to the retailer at the time of purchase of a new type of equivalent equipment, one by one.

Appropriate separate disposal for the subsequent start-up of the disused equipment for recycling, treatment and compatible environmental disposal helps to avoid possible negative effects on the environment and health and favors the re-use and / or recycling of the materials it is composed the equipment.

The illegal disposal of the product by the user involves the application of the penalties referred to in current laws.

Any rechargeable batteries or rechargeable batteries contained in the device must be disposed separately in the appropriate expired batteries bins.

## Battery disposal



Disposal of expired batteries must take place at the appropriate recycling centers or according to local authority. Batteries in compliance with the 2013/56 / EC directive.

Eco-contributo RAEE assolto ove dovuto - N° Registro AEE: IT0802000001647

Eco-contributo PILE assolto ove dovuto - N° Registro PILE: IT19070P00005533